



PDCPOE1248DR ***DC-DC Converter with PoE Injector***



The AIR802 PDCPOE1248DR DIN rail mount DC to DC converter with PoE Injector output satisfies applications with voltage input from 10 to 26 Vdc where the equipment being supplied requires power-over-Ethernet (PoE) at 48 Vdc.

Applications include powering wireless access points for motor vehicles and marine vessels; 12 or 24 Vdc solar systems; oil and gas industry; and WISPs (wireless Internet service providers).

Features

- Power output to 36 W (0.8 A at 48Vdc) at 75 to 84% efficiency (typical)
- Wide 10 to 26 Vdc input via Ethernet port or plug-in screw terminal
- Input power detection LED
- DIN rail mounting
- One-year limited warranty

PDCPOE1248DR Specifications

Power Input

Input DC Voltage Range: 10 to 26 Vdc
 Efficiency: 75 to 84% (typical)
 Minimum Current: 3 A @ 10 Vdc
 Input Options: PoE or direct screw terminal

Power Output

Output DC Voltage: 48 Vdc
 Maximum Current: 0.8 A (0.6 A typical)
 Maximum Power: 36 W
 Voltage Tolerance: +/- 5%
 Short Circuit Protection: Yes
 Over Current Protection: Yes
 Over Voltage Protection: Yes

Environmental

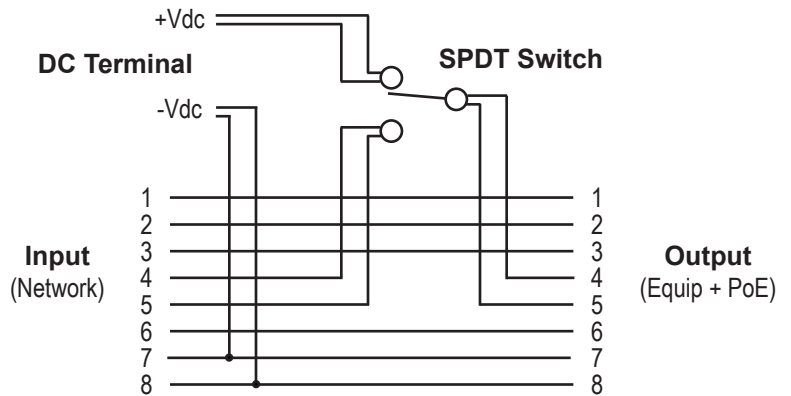
Operating Temperature: -30°C ~ +60°C (-22°F ~ 140°F)
 Storage Temperature: -30°C ~ +70°C (-22°F ~ 158°F)
 Humidity: 5 to 90% RH

Mechanical

DC Connector Wire Size (AWG): 12, 14, 16, 18, 20, 22, 24, 26
 DC Connector Wire Size (mm²): 0.13 to 3.3
 Mounting: DIN Rail
 Dimensions (H x W x D): 10 x 4 x 9 cm (3.9 x 1.5 x 3.5")
 Weight: 224 g (7.9 oz)
 Enclosure material: PC UL 94 V-0

Standards-Agency Approvals

UL 60950-1 (in approval process)



Pin	Input (Network)		Output (Equip + PoE)	
	Symbol	Description	Symbol	Description
1	RX+	Data Receive (+)	RX+	Data Receive (+)
2	RX-	Data Receive (-)	RX-	Data Receive (-)
3	TX+	Data Transmit (+)	TX+	Data Transmit (+)
4	NC or +Vdc	No connection*	+Vdc	DC power (+)
5	NC or +Vdc	No connection*	+Vdc	DC power (+)
6	TX-	Data Transmit (-)	TX-	Data Transmit (-)
7	-Vdc	DC power (-)	-Vdc	DC power (-)
8	-Vdc	DC power (-)	-Vdc	DC power (-)

* Default is No Connection (input applied to DC terminal), internal switch selectable to +Vdc Input (Network).

AIR802

931 W. 75th Street, Suite 137-319
 Naperville, IL 60565 USA
 Tel: (630) 428-3108 • Fax: (630) 428-1575
 sales@air802.com • www.AIR802.com