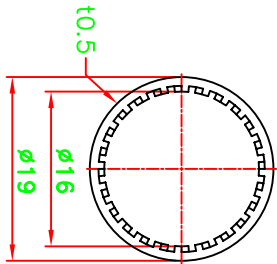
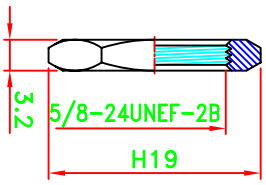
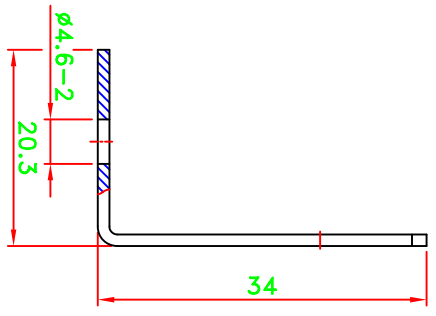
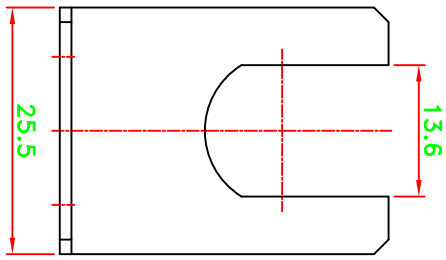
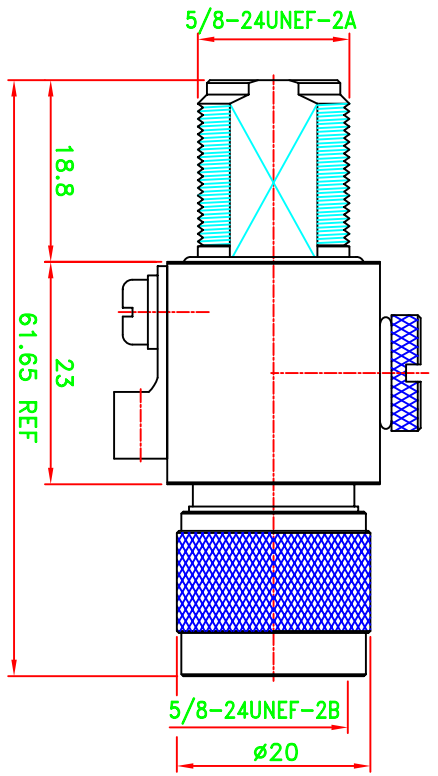
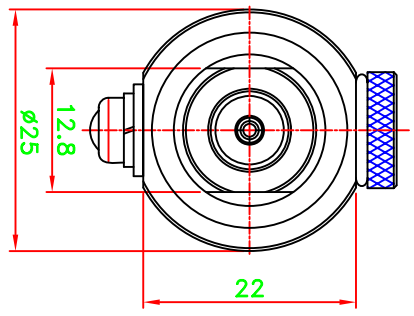


REV	DESCRIPTION \ PER REQUEST	DRAWN	DATE



NOTES: FINISH (PLATING THICKNESS IN MICRO-INCHES)
 1.COPPER-TIN-ZINC PL. 80 MIN THICK

19	Nut	1	Brass	Nickel
18	Washer	1	Brass	Nickel
17	Bracket	1	Iron	Nickel
16	Nut	1	SUS	None
15	Gasket	1	Iron	None
14	Grounding	1	Copper	Tin
13	Nut	1	Brass	Nickel
12	"O" ring	1	Rubber	Black
11	Spring	1	Beryllium	Nickel
10	Arrester	1	Ceramic	None
9	"O" ring	2	Rubber	Black
8	Shell	1	Brass	NOTE 1
7	Gasket	1	Si-rubber	Orange
6	Retaining ring	1	Brass	Nickel
5	Grounding	1	Brass	Nickel
4	Dielectric	2	Teflon	None
3	Pin	1	Brass	Gold
2	Body	1	Brass	NOTE 1
1	Body	1	Brass	NOTE 1
NO	Description	Qty	Material	Finish



Impedance:50ohm
 Frequency:0~6GHz
 VSWR:1.5MAX
 Insertion Loss:0.5dB MAX

6GHZ

PART NO.	LPNMF06	* MAJOR DIMENSION	UNLESS OTHERWISE NOTED TOLERANCES	TITLE	ASANT-31013
APPROVED	M. Bryant	DATE	10/07/09	DRAWING NO.	ASANT-31013
CHECKED		DATE	10/07/09	FILE NO.	W:\ASANT\ASANT-31013
DRAWN	WEN	DATE	10/07/09	SCALE	5/4
				UNIT	mm
				ANGLE	±1.0
				REV	A
				DIANA->	20091007

ASANT-31013

LIGHTNING PROTECTOR

ASANT-31013

DIANA->20091007