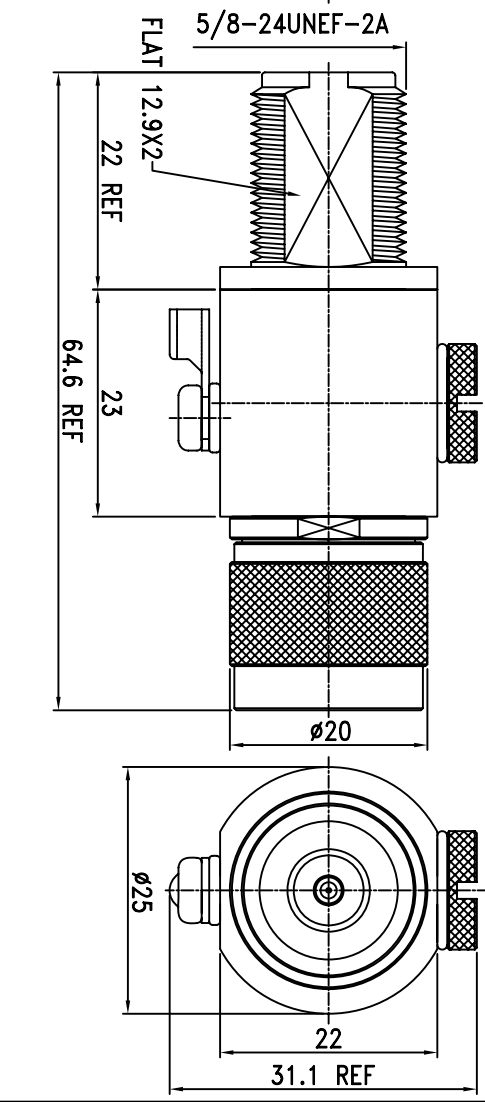
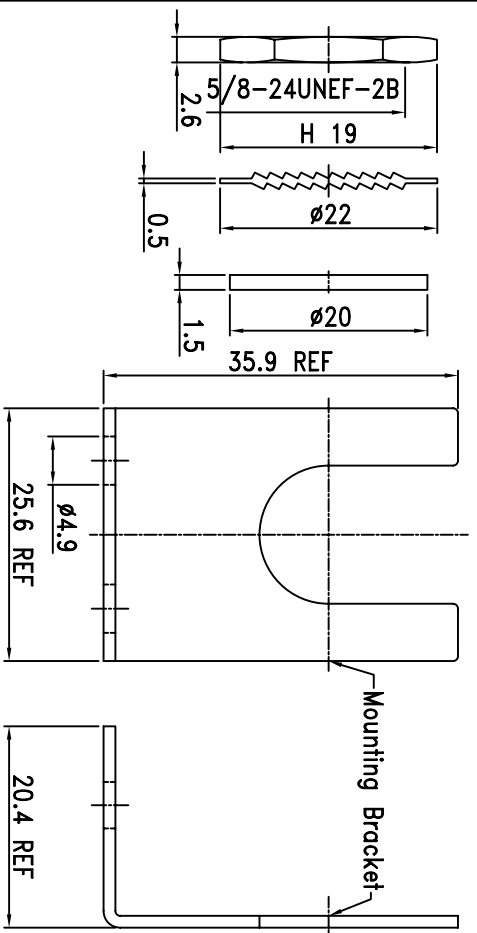


Lightning Surge Arrester 3GHz
 Frequency 0-3GHz
 VSWR 1:1.5 Max
 Insertion Loss 0.5dBi Max
 Impedance 50 Ohm
 Gas Tube DC 90V±20%
 Breakdown Voltage $\leq 700V$
 Gas Tube Impulse Breakdown Voltage $\geq 10000 M Ohm$
 Resistance
 Max Withstand Current 5 K V
 RF Power Rating 15 W



9.	Mounting Bracket	Iron	1	Nickel
8.	Nut	Brass	1	Nickel
7.	Washer	Brass	1	Nickel
6.	Gasket	Silicone	1	Red
5.	Insulation	Teflon	2	None
4.	Pin	Brass	1	Gold
3.	Body	Brass	1	Nickel
2.	Body	Brass	1	Nickel
1.	Body	Brass	1	Nickel
NO.	DESCRIPTION	MATERIAL	Q'TY	FINISH

DRAWN	Jenny	SCALE	UNITS	TITLE	REV.	CAD FILE	DATE
		1.5:1	m/m				
CHECKED		TOLERANCE		TITLE	REV.	CAD FILE	DATE
		X	±0.2				
APPROVAL	M. Bryant	.XX	±0.1	TITLE	REV.	CAD FILE	DATE
		.XXX	±0.05				
		ANGLE	±0.5°				

AIR802 LLC

LPNMF03

CAD FILE

AIR802->20080408

96.03.14