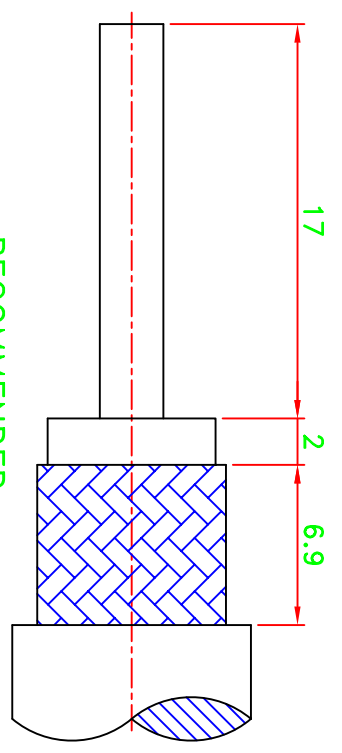
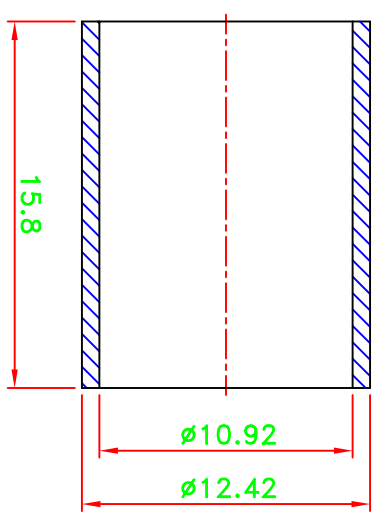
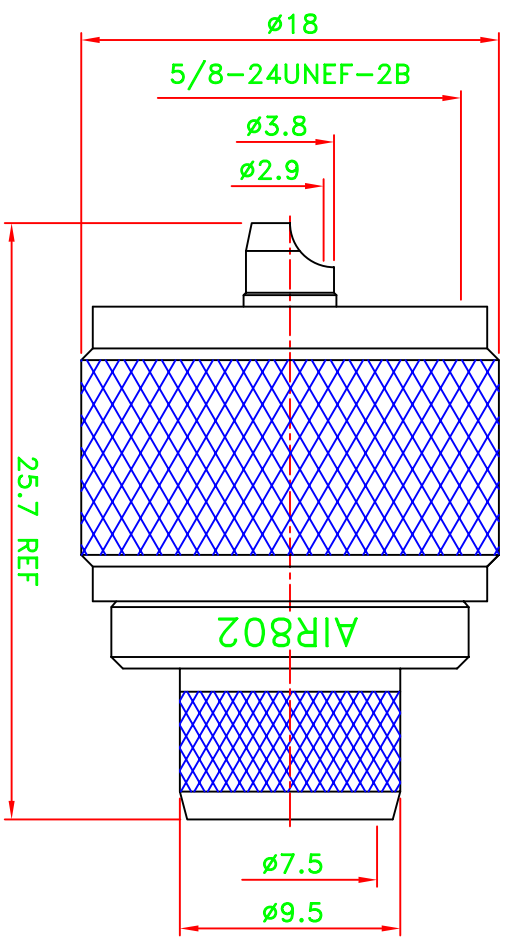


REV	DESCRIPTION \ PER REQUEST	DRAWN	DATE

CRIMP SIZES REQUIRED
CONTACT: SOLDER
FERRULE: .429[10.9mm]



RECOMMENDED
CABLE STRIPPING DIM'S



NO	Description	Qty	Material	Finish
7	Ferrule	1	Brass	Nickel
6	Shell	1	Brass	Nickel
5	Retaining ring	1	Brass	Nickel
4	Dielectric	1	Delrin	None
3	Dielectric	1	Delrin	None
2	Pin	1	Brass	Nickel
1	Body	1	Brass	Nickel

NOTES:
 1. UNLESS OTHERWISE SPECIFIED ALL DIMENSIONS ARE IN MM.
 2. ALL SPECIFICATIONS ARE SUBJECT TO CHANGE WITHOUT NOTICE.

PART NO.	CN4UHFP
APPROVED	M. Bryant
CHECKED	
DRAWN	Kqi
DATE	12/14/07

* MAJOR DIMENSION	UNLESS OTHERWISE NOTED TOLERANCES
	0.5-6 = ±0.2
	6-30 = ±0.4
	30-120 = ±0.6
	120-315 = ±1.0
	ANGLES = ±1°
SCALE	3/1
UNIT	mm

AIR802 LLC	
TITLE	UHF CRIMP PLUG
DRAWING NO.	ASUHF-17022-T-DNN
FILE NO.	W:\web\ASUHF\ASUHF-17022-T-DNN
REV	A
	AIR802-20071217