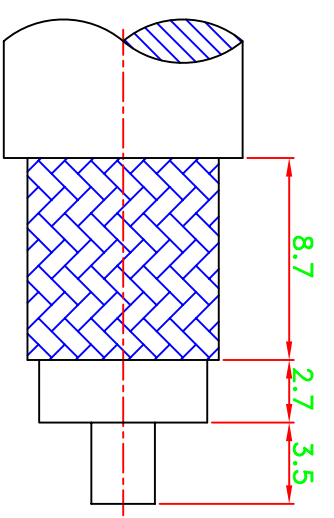
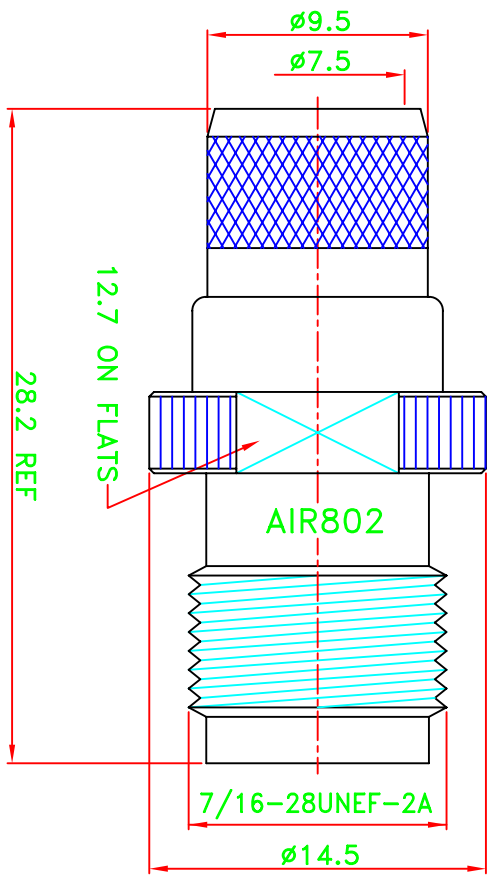
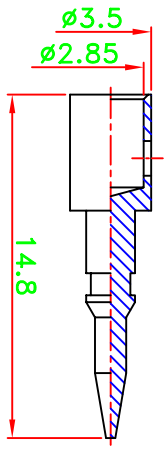
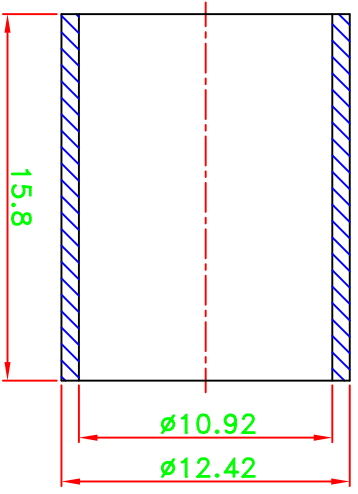


REV	DESCRIPTION \ PER REQUEST	DRAWN	DATE

CRIMP SIZES REQUIRED
CONTACT: .128[3.3mm]
FERRULE: .429[10.9mm]



RECOMMENDED STRIPPING DIMENSIONS



NOTES:
 1. UNLESS OTHERWISE SPECIFIED ALL DIMENSIONS ARE IN MM.
 2. ALL SPECIFICATIONS ARE SUBJECT TO CHANGE WITHOUT NOTICE AT ANY TIME.

NO	Description	Qty	Material	Finish
5	Ferrule	1	Brass	Nickel
4	Press fit ferrule stud	1	Brass	Nickel
3	Dielectric	1	Teflon	None
2	Pin	1	Brass	Gold
1	Body	1	Brass	Nickel

PART NO.	APPROVED	CHECKED	DRAWN	DATE
CN4RTJC	M. BRYANT		Kai	10/18/06

* MAJOR DIMENSION	UNLESS OTHERWISE NOTED TOLERANCES	SCALE	UNIT
0.5-6 = ± 0.2	6-30 = ± 0.4	3/1	mm
30-120 = ± 0.6	120-315 = ± 1.0		
	ANGLES = $\pm 1^\circ$		

TITLE	DRAWING NO.	REV
AIR802 LLC	RP-TNC JACK CRIMP	A
	ASTNC-15095-T-RP-50-TGN	
	CN4RTJC	
	AIR802->20070802	