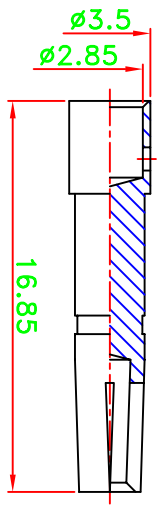
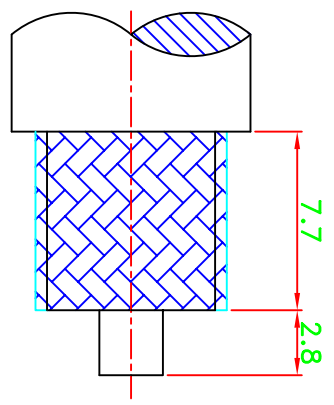


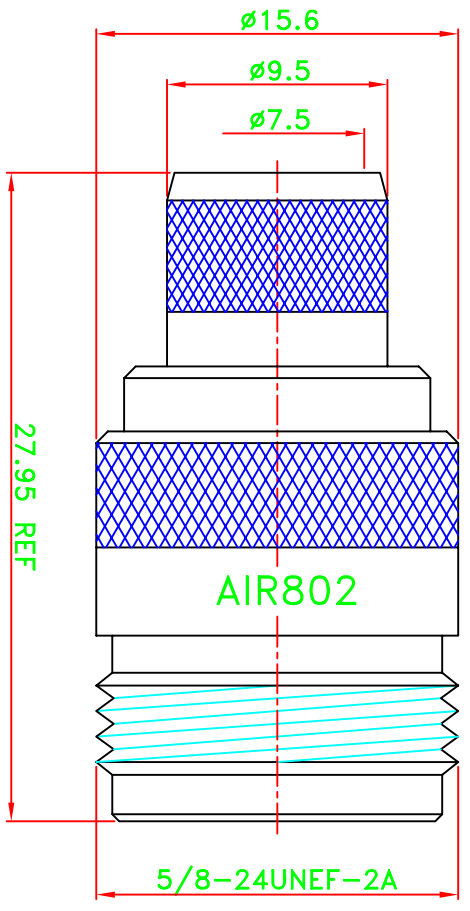
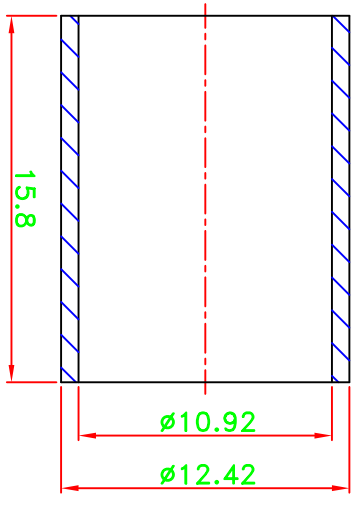
REV	DESCRIPTION \ PER REQUEST	DRAWN	DATE



CRIMP SIZES REQUIRED
CONTACT: .128[3.3mm]
FERRULE: .429[10.9mm]



RECOMMENDED STRIPPING DIMENSIONS



NOTES:
 1. UNLESS OTHERWISE SPECIFIED ALL DIMENSIONS ARE IN MM.
 2. ALL SPECIFICATIONS ARE SUBJECT TO CHANGE WITHOUT NOTICE AT ANY TIME.

NO	Description	Qty	Material	Finish
5	Ferrule	1	Brass	Nickel
4	Press fit ferrule stud	1	Brass	Nickel
3	Dielectric	1	Teflon	None
2	Pin	1	Brass	Gold
1	Body	1	Brass	Nickel

PART NO.	CN4NFC
APPROVED	M. BRYANT
CHECKED	
DRAWN	Kai
DATE	10/17/06

* MAJOR DIMENSION	UNLESS OTHERWISE NOTED TOLERANCES
	0.5-6 = ±0.2
	6-30 = ±0.4
	30-120 = ±0.6
	120-315 = ±1.0
	ANGLES = ±1°
SCALE	3/1
UNIT	mm

TITLE	AIR802 LLC
DRAWING NO.	N-FEMALE CRIMP
FILE NO.	ASN-11105-T-TGN
REV	A
REV	A