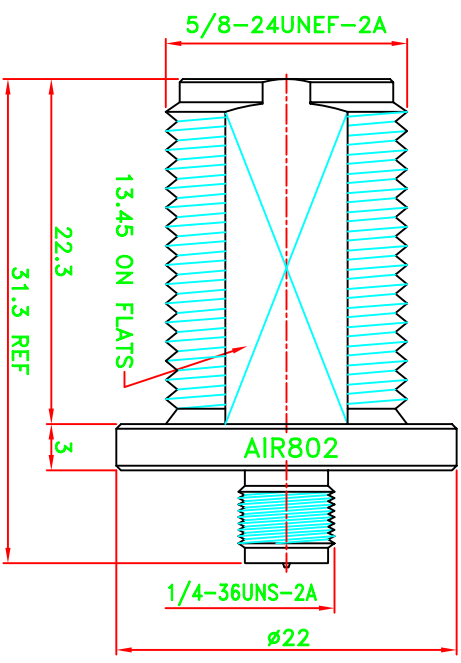
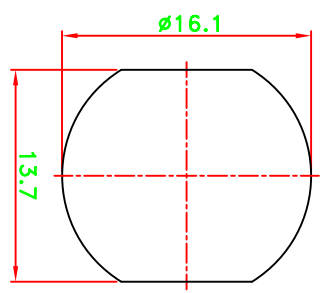
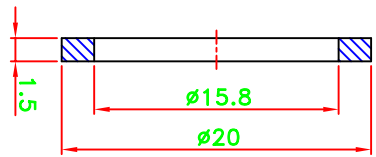
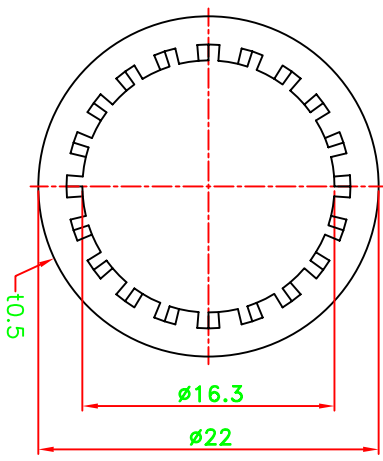
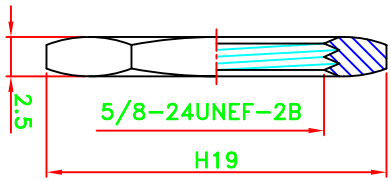


REV	DESCRIPTION \ PER REQUEST	DRAWN	DATE



NOTES:
 1. UNLESS OTHERWISE SPECIFIED ALL DIMENSIONS ARE IN MM.
 2. ALL SPECIFICATIONS ARE SUBJECT TO CHANGE WITHOUT NOTICE.

NO	Description	Qty	Material	Finish
7	Nut	1	Brass	Nickel
6	Washer	1	Brass	Nickel
5	Gasket	1	Si-rubber	Red
4	Dielectric	1	Teflon	None
3	Pin	1	Brass	Gold
2	Body	1	Brass	Nickel
1	Body	1	Brass	Nickel

60AB70001-000

RECOMMENDED
MOUNTING HOLE

PART NO. AD-NFBRSJ

APPROVED M. Bryant DATE 12/18/07

CHECKED DATE 12/18/07

DRAWN Kdi DATE 12/18/07

* MAJOR DIMENSION
 UNLESS OTHERWISE NOTED TOLERANCES
 0.5-6 = ±0.2
 6-30 = ±0.4
 30-120 = ±0.6
 120-315 = ±1.0
 ANGLES = ±1°

SCALE	UNIT	mm
2/1	mm	

AIR802 LLC

TITLE N BULKHEAD JACK TO SMA R/P JACK ADAPTER

DRAWING NO. N-1157-2-RP-TGN

REV A

FILE NO. W:\DWG\COMPOSE\N-1157-2-RP-TGN AIR-20071219