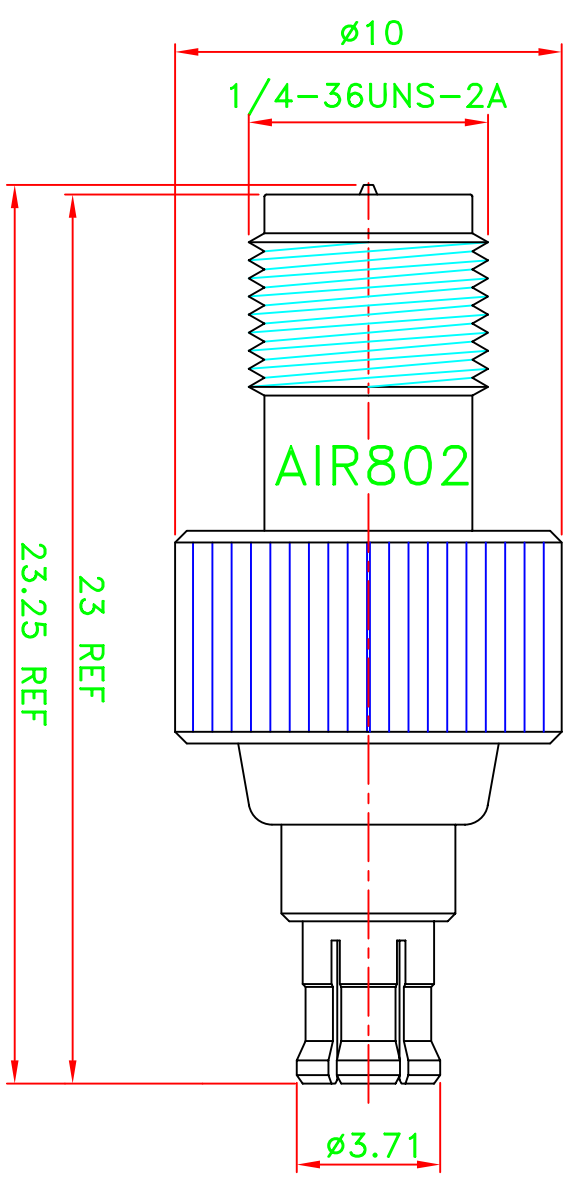


REV	DESCRIPTION\PER REQUEST	DRAWN	DATE



- NOTES:
1. UNLESS OTHERWISE SPECIFIED ALL DIMENSIONS ARE IN MM.
 2. ALL SPECIFICATIONS ARE SUBJECT TO CHANGE WITHOUT NOTICE.

50QANT70001-000

NO	Description	Qty	Material	Finish
5	Dielectric	1	Teflon	None
4	Dielectric	1	Teflon	None
3	Pin	1	Brass	Gold
2	Body	1	Beryllium	Nickel
1	Body	1	Brass	Nickel

PART NO. AD-MCXRSJ		* MAJOR DIMENSION	
APPROVED	M. Bryant	UNLESS OTHERWISE NOTED TOLERANCES	
DATE	12/17/07	0.5-6=±0.2	
CHECKED		6-30=±0.4	
DATE	12/17/07	30-120=±0.6	
DRAWN	Kdi	120-315=±1.0	
DATE	12/17/07	ANGLES=±1°	
SCALE	5/1	UNIT	mm
TITLE		SMA R/P JACK TO MCX PLUG ADAPTER	
DRAWING NO.		SMA-1086-RP-TGN	
FILE NO. W:\DWG\COMPOSE\SMA\SMA-1086-RP-TGN		REV	A
AIR802->20071218			

AIR802 LLC