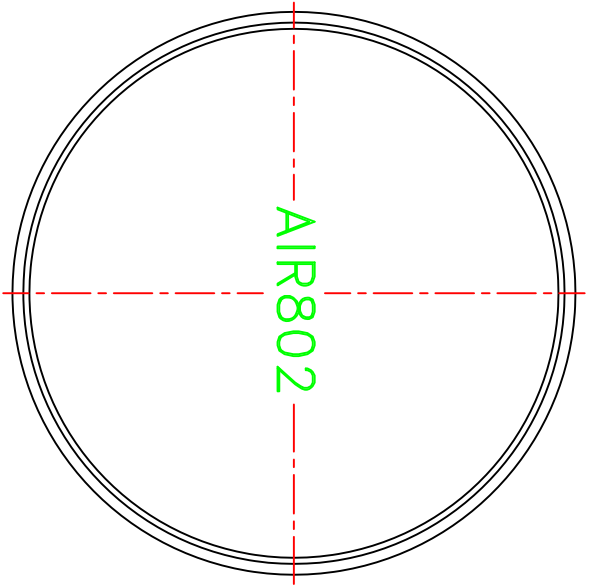
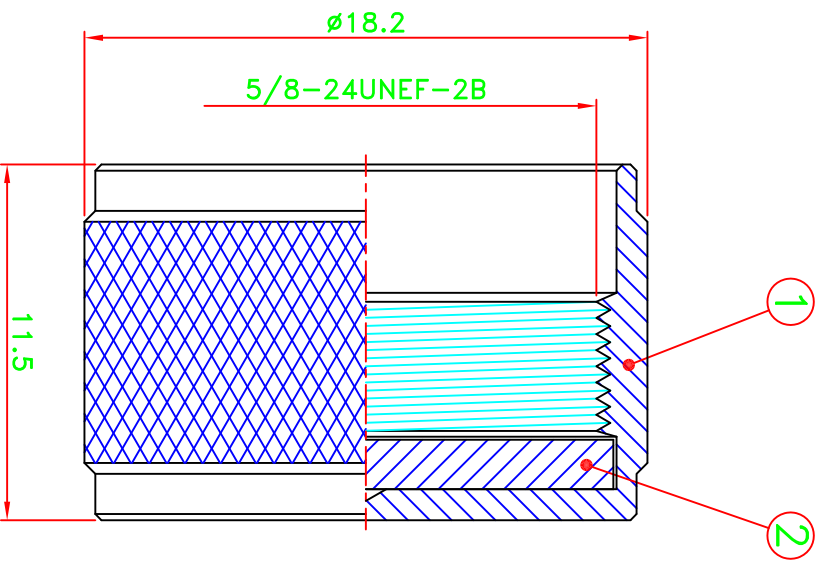


REV	DESCRIPTION\PER REQUEST	DRAWN	DATE

NOTES:  
 1. UNLESS OTHERWISE SPECIFIED ALL DIMENSIONS ARE IN MM.  
 2. ALL SPECIFICATIONS ARE SUBJECT TO CHANGE WITHOUT NOTICE AT ANY TIME.



STAMP: AIR802

35KA0A001-000

PART NO.		CNUHFCAP	
APPROVED	M. Bryant	DATE	10/30/14
CHECKED		DATE	10/30/14
DRAWN	Cyndi	DATE	10/30/14
* MAJOR DIMENSION UNLESS OTHERWISE NOTED TOLERANCES			
0.5-6 = ±0.2			
6-30 = ±0.4			
30-120 = ±0.6			
120-315 = ±1.0			
ANGLES = ±5°			
SCALE	4/1	UNIT	mm
TITLE		UHF TYPE DUST COVER	
DRAWING NO.		ASUHF-17040	
FILE NO.	W:\??\AS\ASUHF\ASUHF-17040	REV	A
AIR802-->20141030			

NO	DESCRIPTION/DRAWING NO.	Q'TY	MATERIAL	FINISH
2	GASKET	1	SI-RUBBER	RED
1	SHELL	1	BRASS	NICKEL