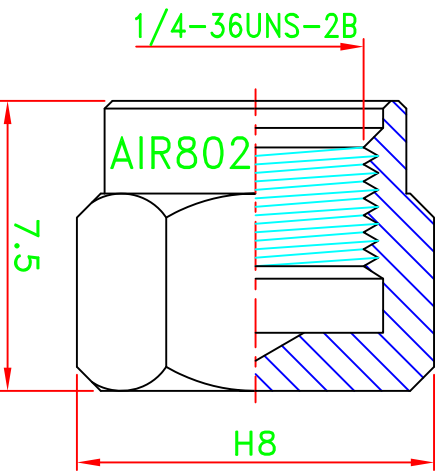


REV	DESCRIPTION\PER REQUEST	DRAWN	DATE

- NOTES:
1. UNLESS OTHERWISE SPECIFIED ALL DIMENSIONS ARE IN MM.
  2. ALL SPECIFICATIONS ARE SUBJECT TO CHANGE WITHOUT NOTICE AT ANY TIME.



STAMP: AIR802

70K1AA001-000

NO	DESCRIPTION/DRAWING NO.	Q'TY	MATERIAL	FINISH
1	SHELL	1	BRASS	NICKEL

PART NO.	CNRSPCAP
APPROVED	M. Bryant
CHECKED	
DRAWN	Kdi
DATE	01/28/14

* MAJOR DIMENSION	UNLESS OTHERWISE NOTED TOLERANCES
SCALE	5/1
UNIT	mm
FILE NO.	W:\p\AS\ASSMA\ASSMA-10459
TITLE	SMA DUST CAP PLUG
DRAWING NO.	ASSMA-10459
REV	B