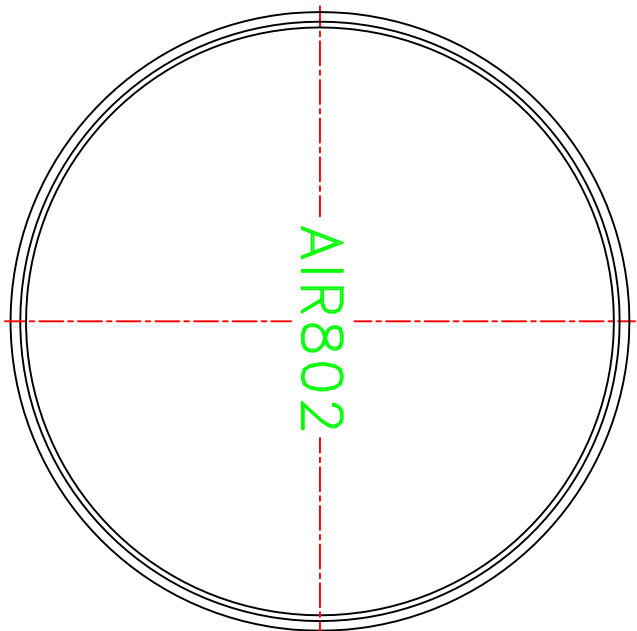
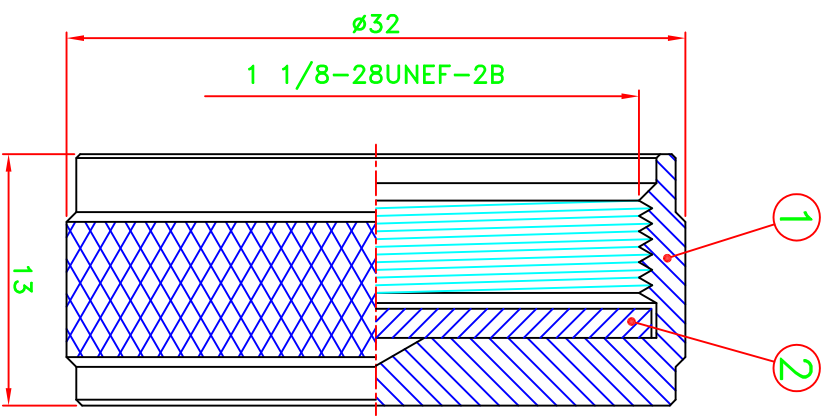


REV	DESCRIPTION\PER REQUEST	DRAWN	DATE

NOTES:
 1. UNLESS OTHERWISE SPECIFIED ALL DIMENSIONS ARE IN MM.
 2. ALL SPECIFICATIONS ARE SUBJECT TO CHANGE WITHOUT NOTICE AT ANY TIME.



STAMP: AIR802

J0KKA0A001-000

PART NO.		CANNMOCAP	
APPROVED	M. Bryant	DATE	10/29/14
CHECKED		DATE	10/29/14
DRAWN	Cyndi	DATE	10/29/14
* MAJOR DIMENSION UNLESS OTHERWISE NOTED TOLERANCES			
0.5-6	±0.2		
6-30	±0.4		
30-120	±0.6		
120-315	±1.0		
ANGLES ±5°			
SCALE	5/2	UNIT	mm
TITLE		AIR802	
DRAWING NO.		NMO TYPE DUST COVER	
FILE NO. W:\??\AS\AS-23\AS-23139		AS-23139	
REV		A	
AIR802->20141030			

NO	DESCRIPTION/DRAWING NO.	Q'TY	MATERIAL	FINISH
2	GASKET	1	SI-RUBBER	RED
1	SHELL	1	BRASS	NICKEL