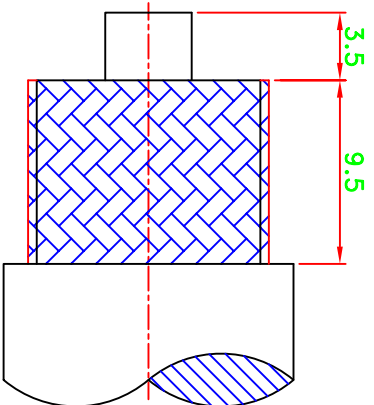
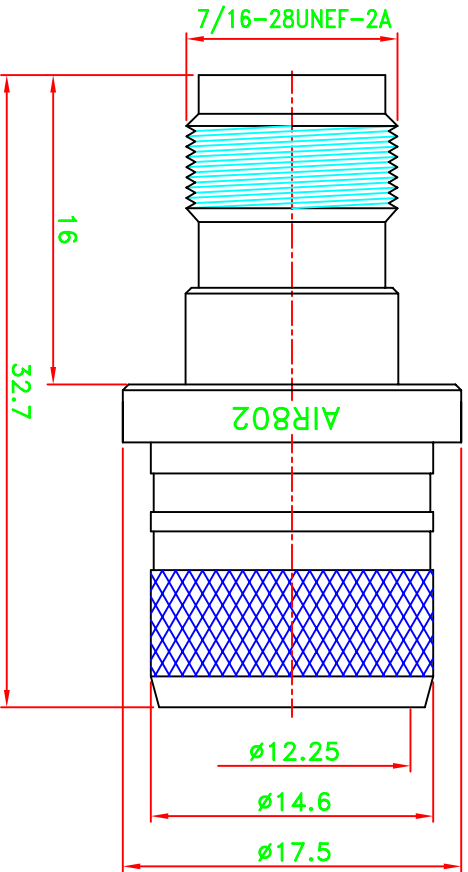
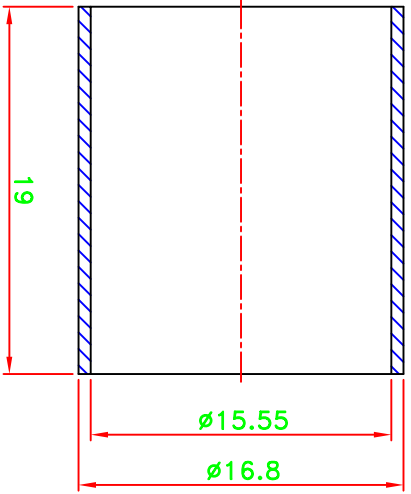
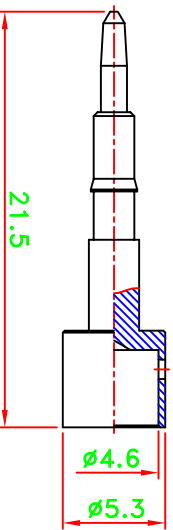


REV	DESCRIPTION \ PER REQUEST	DRAWN	DATE

CRIMP SIZES REQUIRED
CONTACT: .178 [4.52mm]
FERRULE: .61 [15.49mm]



**RECOMMENDED
CABLE STRIPPING DIM'S**



NOTES:
1. UNLESS OTHERWISE SPECIFIED ALL DIMENSIONS ARE IN MM.
2. ALL SPECIFICATIONS ARE SUBJECT TO CHANGE WITHOUT NOTICE AT ANY TIME.

NO	Description	Qty	Material	Finish
5	Ferrule	1	Brass	Nickel
4	Press washer	1	Brass	Nickel
3	Dielectric	1	Teflon	None
2	Pin	1	Brass	Gold
1	Body	1	Brass	Nickel

PART NO.	CN6RTJ
APPROVED	M. BRYANT
CHECKED	
DRAWN	Kdi
DATE	12/08/11

TITLE	15C00V101-002
AIR802 LLC	
TNC REVERSE POLARITY CRIMP JACK	
DRAWING NO.	ASTNC-15152-V-RP-TGN
REV	A

FILE NO. W:\AS\ASTNC\ASTNC-15152-V-RP-TGN AIR802->20111209