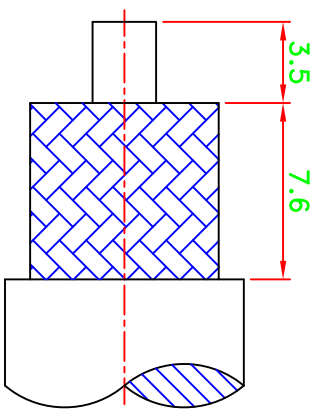


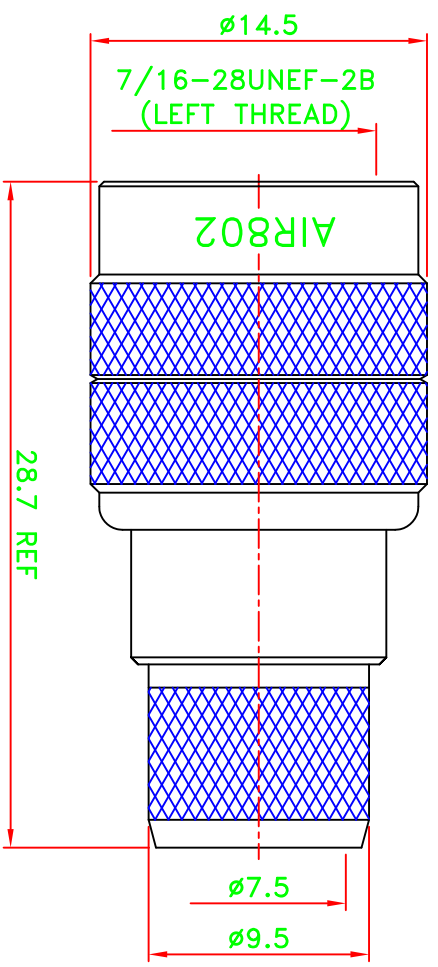
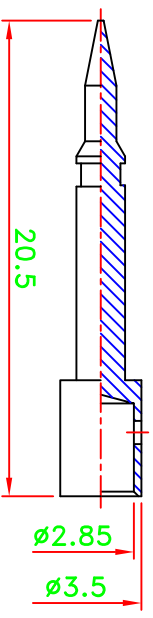
REV	DESCRIPTION \ PER REQUEST	DRAWN	DATE

CRIMP SIZES REQUIRED
CONTACT: .128[3.25mm]
FERRULE: .429[10.9mm]

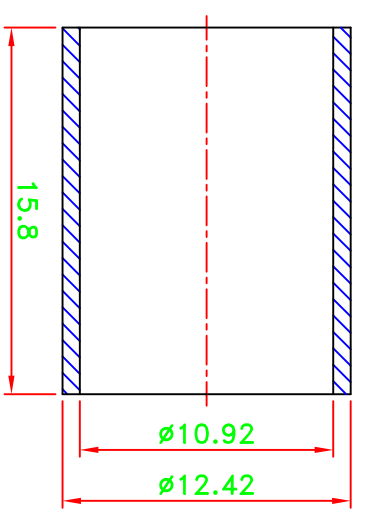
- NOTES:
1. UNLESS OTHERWISE SPECIFIED ALL DIMENSIONS ARE IN MM.
 2. ALL SPECIFICATIONS ARE SUBJECT TO CHANGE WITHOUT NOTICE AT ANY TIME.



RECOMMENDED
CABLE STRIPPING DIM'S



STAMP: AIR802



NO	DESCRIPTION/DRAWING NO.	Q'TY	MATERIAL	FINISH
9	FERRULE	1	BRASS	NICKEL
8	SHELL	1	BRASS	NICKEL
7	GASKET	1	RUBBER	RED
6	RETAINING RING	1	SK5	NICKEL
5	INSULATOR	1	POM	NATURAL
4	WASHER	1	BRASS	NICKEL
3	INSULATOR	1	PTFE	NATURAL
2	PIN	1	BRASS	GOLD
1	BODY	1	BRASS	NICKEL

PART NO.	CN4TNPRT
APPROVED	M. Bryant
CHECKED	
DRAWN	Cyndi
DATE	08/20/14

* MAJOR DIMENSION		
UNLESS OTHERWISE NOTED	TOLERANCES	
0.5-6	±0.2	
6-30	±0.4	
30-120	±0.6	
120-315	±1.0	
	ANGLES ±.5°	
SCALE	3/1	UNIT
		mm

TITLE		TNC REVERES THREAD CRIMP PLUG	
DRAWING NO.		ASTNC-15125-T-RT-50-TGN	
FILE NO.		W:\P\AS\ASTNC\ASTNC-15125-T-RT-50-TGN AIR802->20140821	
REV		A	

AIR802