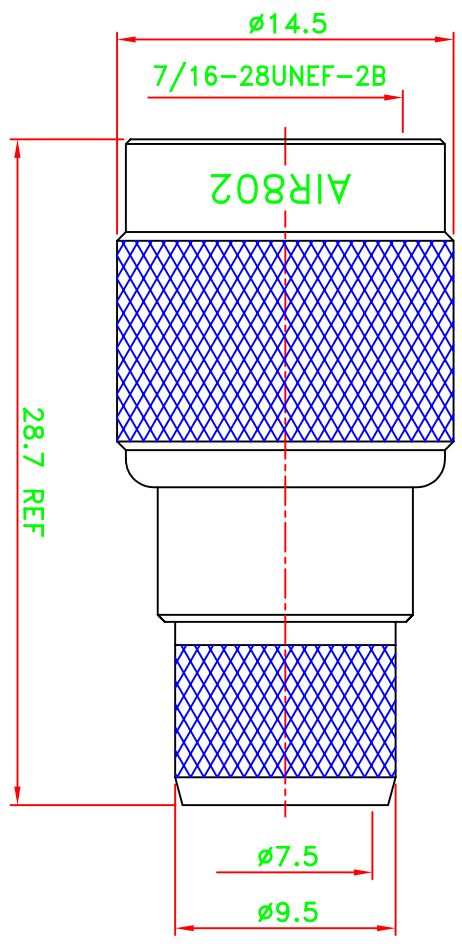


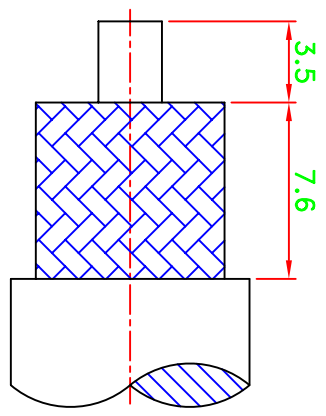
REV	DESCRIPTION \ PER REQUEST	DRAWN	DATE

CRIMP SIZES REQUIRED
CONTACT: .128(3.3mm)
FERRULE: .429(10.9mm)

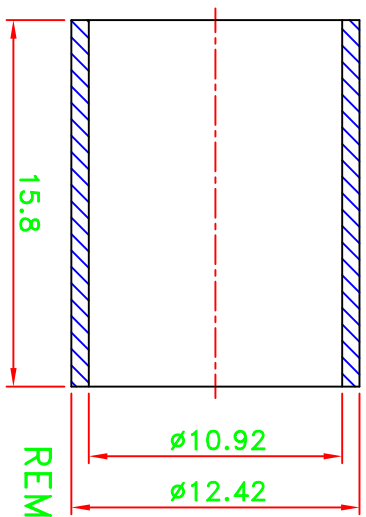
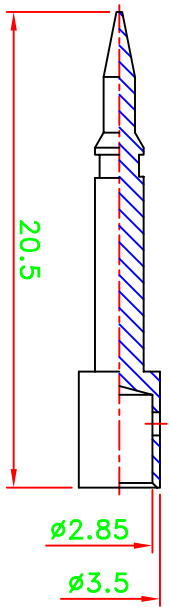


NOTES:
1. UNLESS OTHERWISE SPECIFIED ALL DIMENSIONS ARE IN MM.
2. ALL SPECIFICATIONS ARE SUBJECT TO CHANGE WITHOUT NOTICE.

NO	Description	Qty	Material	Finish
9	Ferrule	1	Brass	Nickel
8	Shell	1	Brass	Nickel
7	Gasket	1	Rubber	Red
6	Retaining ring	1	SK-5	Nickel
5	Washer	1	Brass	Nickel
4	Dielectric	1	Delrin	None
3	Dielectric	1	Teflon	None
2	Pin	1	Brass	Gold
1	Body	1	Brass	Nickel



RECOMMENDED
CABLE STRIPPING DIM'S



REMARK:
STAMP AIR802

PART NO.	CN4TNP	* MAJOR DIMENSION	UNLESS OTHERWISE NOTED TOLERANCES	TITLE	AIR802 LLC
APPROVED	M. Bryant	DATE	08/24/09	TNC CRIMP PLUG	
CHECKED		DATE	08/24/09	DRAWING NO.	ASTNC-15125-T-50-TGN
DRAWN	WEN	DATE	08/24/09	FILE NO.	W:\AS\ASTNC\ASTNC-15125-T-50-TGN
SCALE	3/1	UNIT	mm	REV	A
				DIANA->20090825	