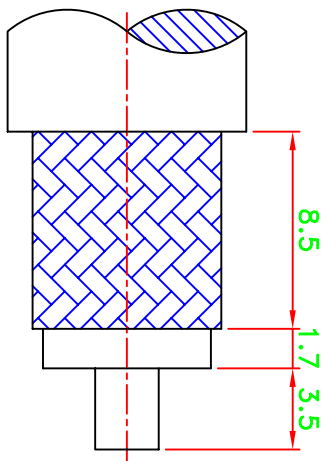
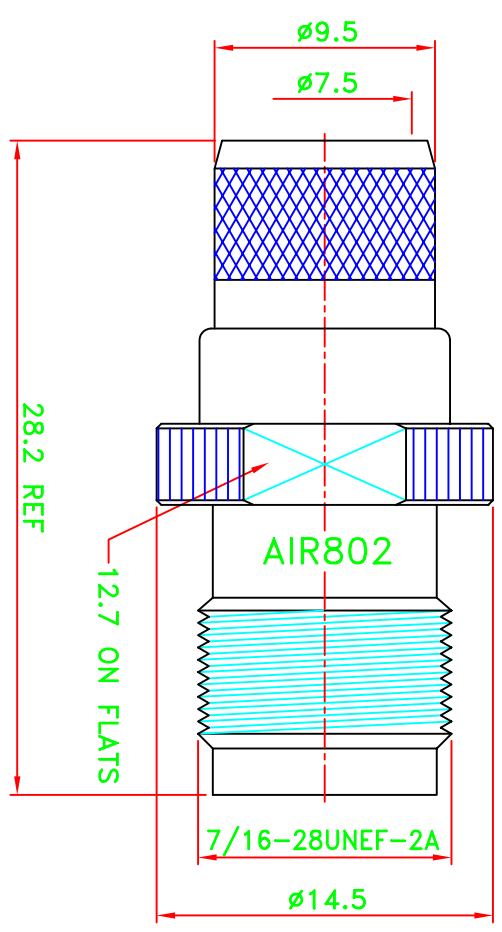
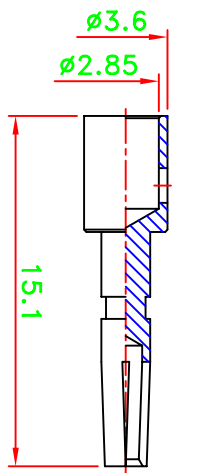
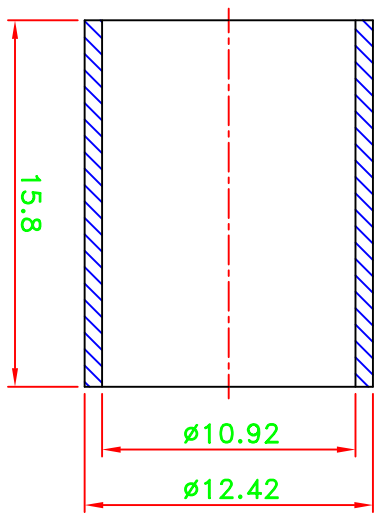


| REV | DESCRIPTION \ PER REQUEST | DRAWN | DATE |
|-----|---------------------------|-------|------|
|     |                           |       |      |
|     |                           |       |      |

**CRIMP SIZES REQUIRED**  
**CONTACT: .128[3.3mm]**  
**FERRULE: .429[10.9mm]**



**RECOMMENDED**  
**CABLE STRIPPING DIM'S**



**NOTES:**  
 1. UNLESS OTHERWISE SPECIFIED ALL DIMENSIONS ARE IN MM.  
 2. ALL SPECIFICATIONS ARE SUBJECT TO CHANGE WITHOUT NOTICE AT ANY TIME.

**STAMP: AIR802**

| NO | Description            | Qty | Material | Finish |
|----|------------------------|-----|----------|--------|
| 5  | Ferrule                | 1   | Brass    | Nickel |
| 4  | Press fit ferrule stud | 1   | Brass    | Nickel |
| 3  | Dielectric             | 1   | Teflon   | None   |
| 2  | Pin                    | 1   | Brass    | Gold   |
| 1  | Body                   | 1   | Brass    | Nickel |

| PART NO.  |                      | APPROVED  |    | CHECKED  |   | DRAWN    |  |
|---|----------------------|-----------|----|----------|---|----------|--|
| CN4TNJ  |                      | M. BRYANT |    | 09/29/11 |   | WIN      |  |
| DATE  |                      | DATE      |    | DATE     |   | DATE     |  |
| 09/29/11  |                      | 09/29/11  |    | 09/29/11 |   | 09/29/11 |  |
| * MAJOR DIMENSION UNLESS OTHERWISE NOTED TOLERANCES |                      |           |    |          |   |          |  |
| 0.5-6 = $\pm 0.2$                                   |                      |           |    |          |   |          |  |
| 6-30 = $\pm 0.4$                                    |                      |           |    |          |   |          |  |
| 30-120 = $\pm 0.6$                                  |                      |           |    |          |   |          |  |
| 120-315 = $\pm 1.0$                                 |                      |           |    |          |   |          |  |
| ANGLES = $\pm 1^\circ$                              |                      |           |    |          |   |          |  |
| SCALE   | 3/1                  | UNIT      | mm | FILE NO. | W:\na\ASTNC\ASTNC-15095-T-50-TGN AIR802->20110930 |          |  |
| TITLE   | TNC CRIMP JACK       |           |    |          |   |          |  |
| DRAWING NO.   | ASTNC-15095-T-50-TGN |           |    |          |   |          |  |
| REV   | A                    |           |    |          |   |          |  |

**AIR802 LLC**