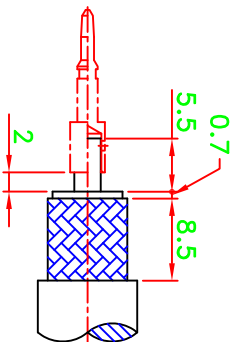
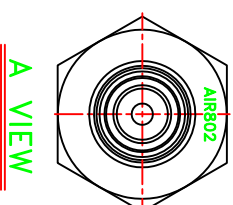
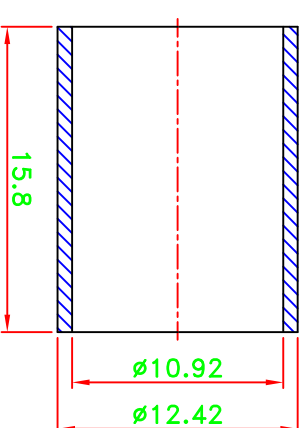
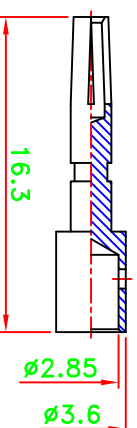
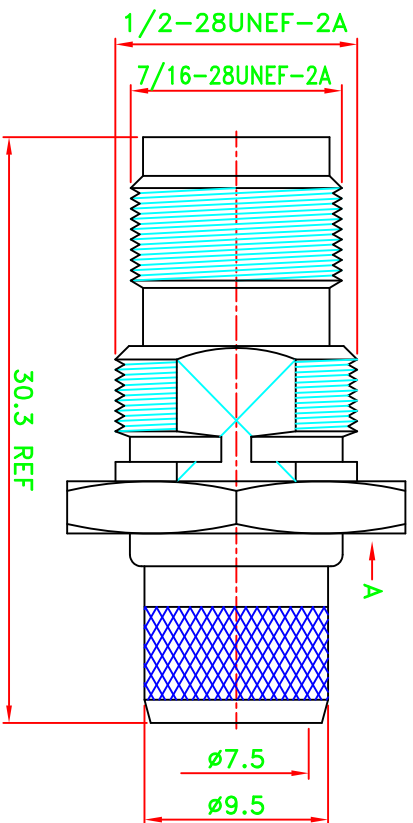
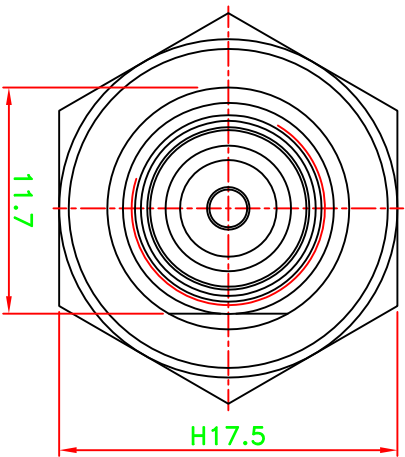


REV	DESCRIPTION \ PER REQUEST	DRAWN	DATE

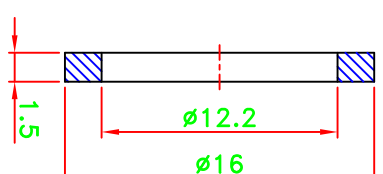
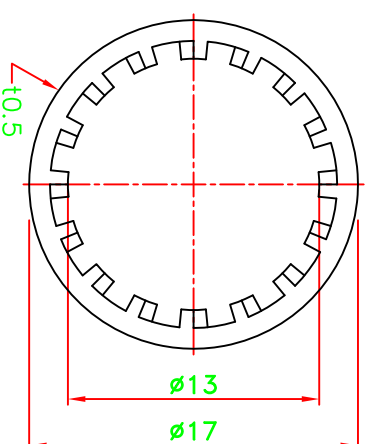
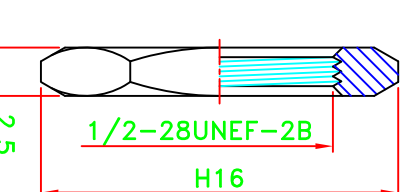
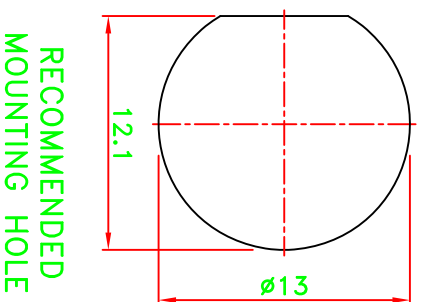
CRIMP SIZES REQUIRED
CONTACT: .128[3.25mm]
FERRULE: .429[10.9mm]

NOTES:
 1. UNLESS OTHERWISE SPECIFIED ALL DIMENSIONS ARE IN MM.
 2. ALL SPECIFICATIONS ARE SUBJECT TO CHANGE WITHOUT NOTICE AT ANY TIME.



STAMP : AIR802
RECOMMENDED CABLE STRIPPING DIM'S

NO	DESCRIPTION/DRAWING NO.	Q'TY	MATERIAL	FINISH
8	NUT	1	BRASS	NICKEL
7	WASHER	1	BRASS	NICKEL
6	GASKET	1	RUBBER	RED
5	FERRULE	1	COPPER	NICKEL
4	BARREL	1	BRASS	NICKEL
3	INSULATOR	1	PTFE	NATURAL
2	PIN	1	BRASS	GOLD
1	BODY	1	BRASS	NICKEL



15C00V201-004

PART NO.	APPROVED	CHECKED	DRAWN
CN4TNJB	M. Bryant		Cyndi
DATE	DATE	DATE	DATE
05/08/14	05/08/14	05/08/14	05/08/14

UNLESS OTHERWISE NOTED TOLERANCES	SCALE	UNIT
0.5-6 = ±0.2	5/2	mm
6-30 = ±0.4		
30-120 = ±0.6		
120-315 = ±1.0		
ANGLES = ±5°		

TITLE	DRAWING NO.	REV
TNC BULKHEAD CRIMP JACK	ASTNC-15173-T-50-TGN	B
AIR802		
FILE NO. W:\P2\AS\ASTNC\ASTNC-15173-T-50-TGN	AIR802-20140508	