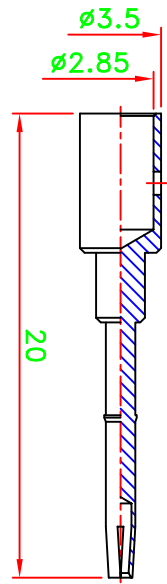
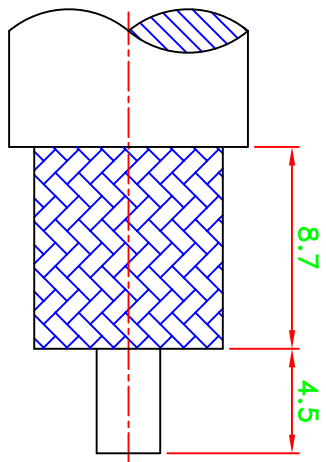
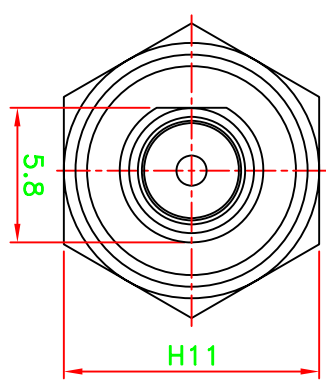
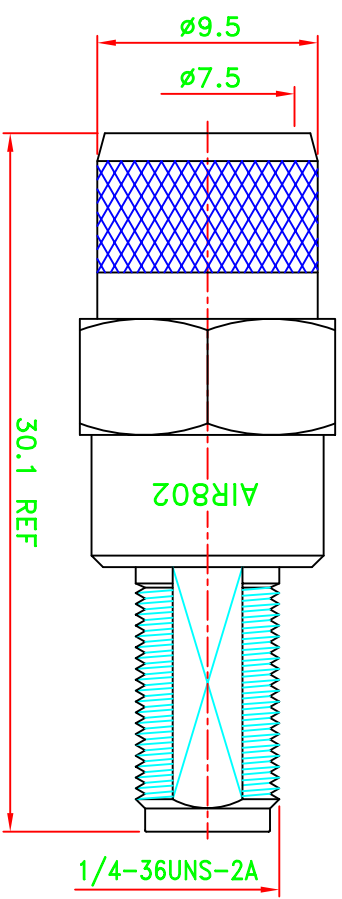
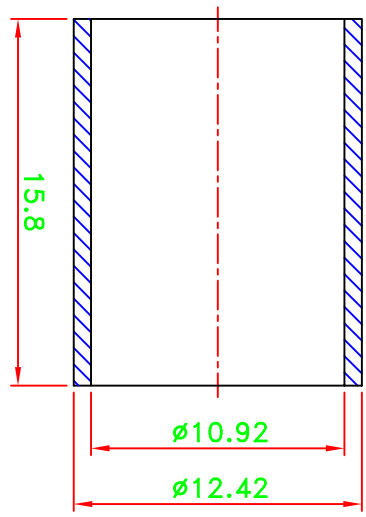


REV	DESCRIPTION \ PER REQUEST	DRAWN	DATE

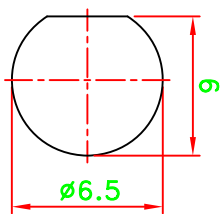
NOTES:  
 1. UNLESS OTHERWISE SPECIFIED ALL DIMENSIONS ARE IN MM.  
 2. ALL SPECIFICATIONS ARE SUBJECT TO CHANGE WITHOUT NOTICE.



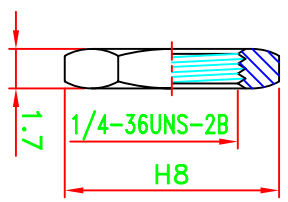
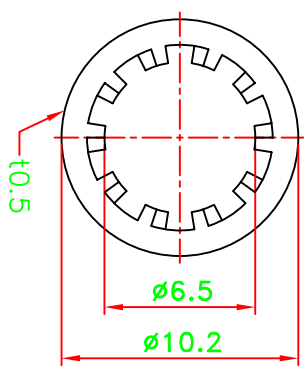
CRIMP SIZES REQUIRED  
 CONTACT: .128(3.3mm)  
 FERRULE: .429(10.9mm)



RECOMMENDED  
 CABLE STRIPPING DIM'S



RECOMMENDED  
 MOUNTING HOLE



STAMP: AIR802

NO	Description	Qty	Material	Finish
6	Nut	1	Brass	Nickel
5	Washer	1	Brass	Nickel
4	Ferrule	1	Brass	Nickel
3	Dielectric	1	Teflon	None
2	Pin	1	Phos Bronze	Gold
1	Body	1	Brass	Nickel

PART NO.	CN4SMAJB
APPROVED	M. Bryant
CHECKED	
DRAWN	WEN

DATE	12/21/10
DATE	12/21/10
DATE	12/21/10
SCALE	3/1
UNIT	mm

TITLE	SMA BULKHEAD CRIMP JACK
DRAWING NO.	ASSMA-10293-T-TGN
REV	A
FILE NO.	W:\AS\ASSMA\ASSMA-10293-T-TGN
DIANA	20101222

AIR802 LLC