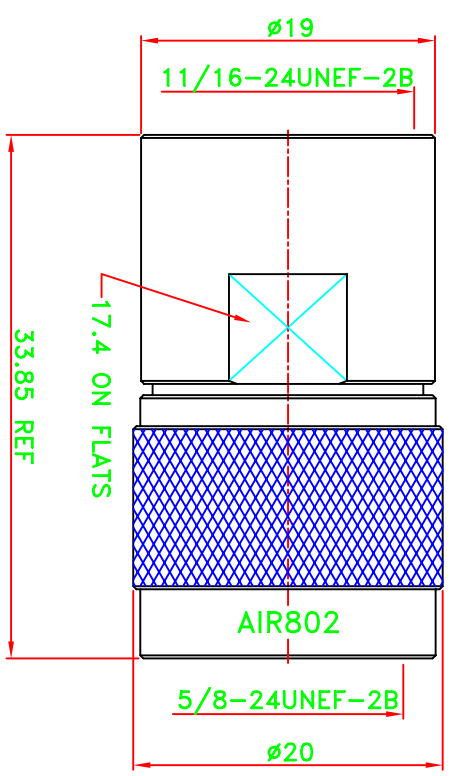
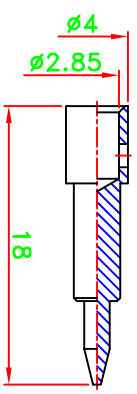
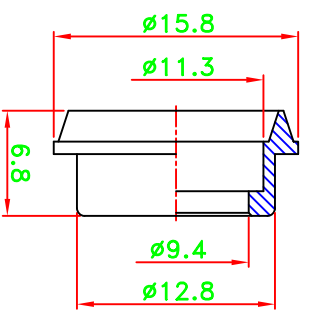
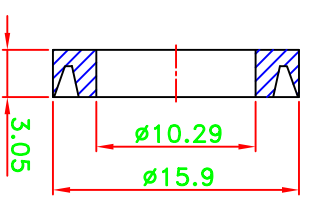


REV	DESCRIPTION \ PER REQUEST	DRAWN	DATE

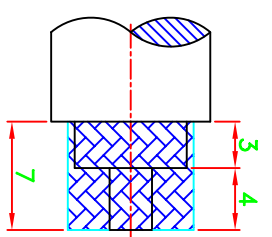
NOTES:
 1. UNLESS OTHERWISE SPECIFIED ALL DIMENSIONS ARE IN MM.
 2. ALL SPECIFICATIONS ARE SUBJECT TO CHANGE WITHOUT NOTICE.



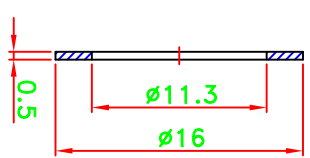
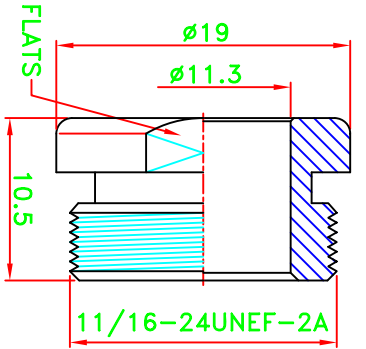
CRIMP SIZES REQUIRED
 CONTACT: 0.137" [3.47mm]

STAMP: AIR802

NO	Description	Qty	Material	Finish
11	Back nut	1	Brass	Nickel
10	Washer	1	Brass	Nickel
9	Gasket	1	Si-rubber	Orange
8	Clamp	1	Brass	Nickel
7	Shell	1	Brass	Nickel
6	Gasket	1	Si-rubber	Orange
5	Retaining ring	1	Brass	Nickel
4	Grounding	1	Brass	Nickel
3	Dielectric	1	Teflon	None
2	Pin	1	Brass	Gold
1	Body	1	Brass	Nickel



RECOMMENDED
 CABLE STRIPPING DIM'S 17.5 ON FLATS



PART NO. CN4NMCLP	* MAJOR DIMENSION UNLESS OTHERWISE NOTED TOLERANCES 0.5-6 = ±0.2 6-30 = ±0.4 30-120 = ±0.6 120-315 = ±1.0 ANGLES = ±1°	TITLE AIR802 LLC N CLAMP PLUG
APPROVED M. Bryant	DATE 09/29/11	DRAWING NO. ASN-11212-T-TGN
CHECKED	DATE 09/29/11	REV A
DRAWN WEN	DATE 09/29/11	FILE NO. W:\AS\ASN\ASN-11212-T-TGN AIR802-2011929
SCALE 2/1	UNIT mm	