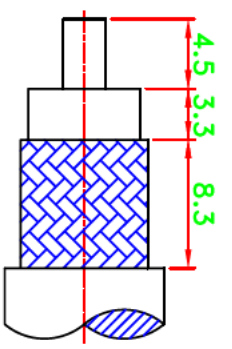
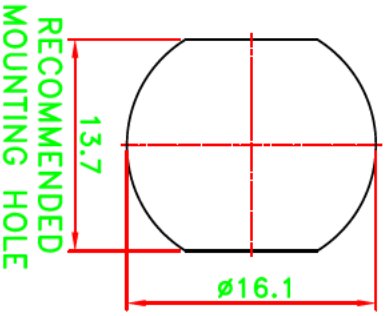
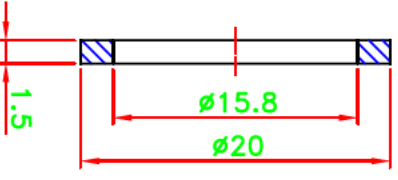
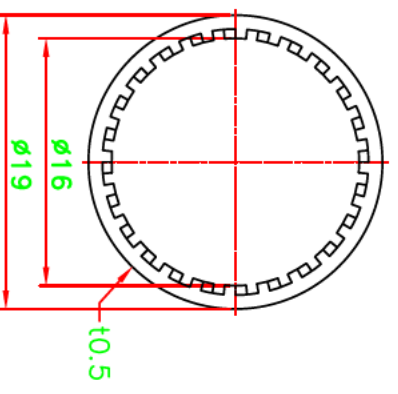
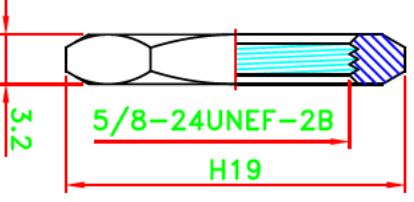
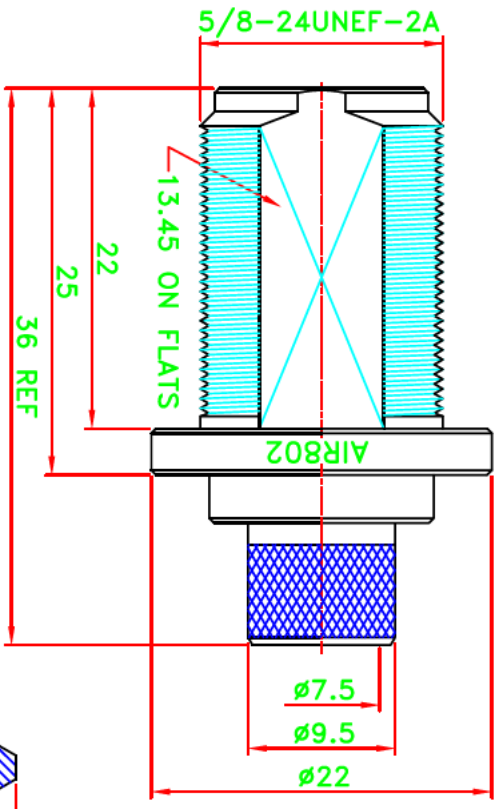
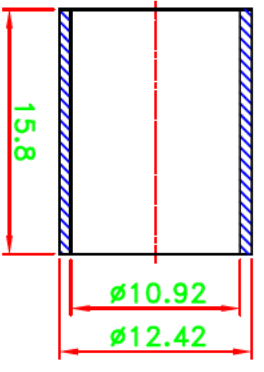
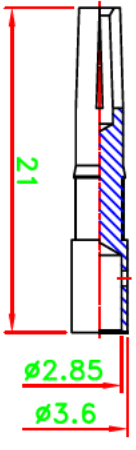


REV	DESCRIPTION \ PER REQUEST	DRAWN	DATE

NOTES:
 1. UNLESS OTHERWISE SPECIFIED ALL DIMENSIONS ARE IN MM.
 2. ALL SPECIFICATIONS ARE SUBJECT TO CHANGE WITHOUT NOTICE
 AT ANY TIME.



RECOMMENDED
 CABLE STRIPPING DIM'S



CRIMP SIZES REQUIRED
 CONTACT: .128[3.3mm]
 FERRULE: .429[10.9mm]

STAMP: AIR802

NO	Description	Qty	Material	Finish
8	Nut	1	Brass	Nickel
7	Washer	1	Brass	Nickel
6	Gasket	1	Si-rubber	Red
5	Ferrule	1	Brass	Nickel
4	Press fit ferrule stud	1	Brass	Nickel
3	Dielectric	1	Teflon	None
2	Pin	1	Brass	Gold
1	Body	1	Brass	Nickel

60C00V201-002

AIR802 LLC

N BULKHEAD CRIMP JACK

PART NO.		UNLESS OTHERWISE NOTED TOLERANCES	
CN4NFB	M. BRYANT	0.5-6 = ±0.2	6-30 = ±0.4
APPROVED	DATE	30-120 = ±0.6	120-315 = ±1.0
04/14/11	04/14/11	ANGLES = ±1°	
CHECKED	DATE	SCALE 2/1 UNIT mm	
04/14/11	04/14/11	DRAWING NO. ASN-11202-T-TGN	
DRAWN	DATE	FILE NO. W:\AS\ASN\ASN-11202-T-TGN AIR802-20110414	
Kdi	04/14/11	REV A	