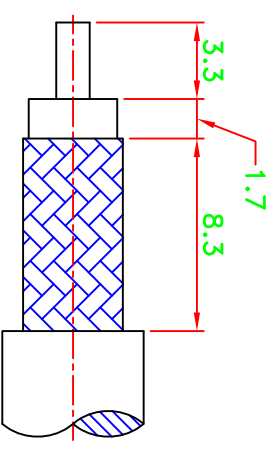
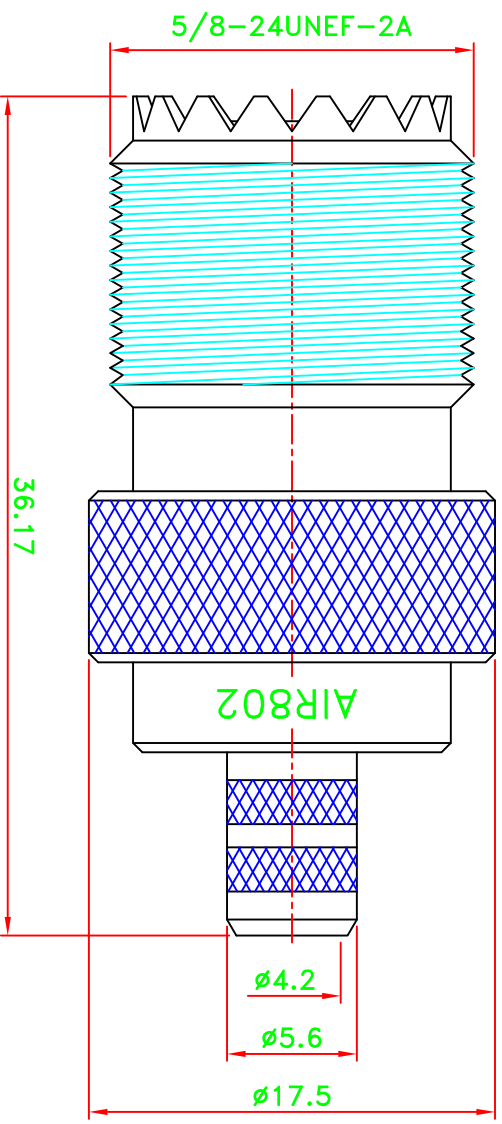
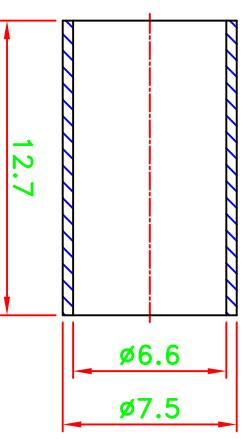
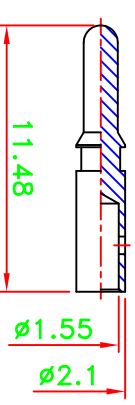


REV	DESCRIPTION \ PER REQUEST	DRAWN	DATE

NOTES:
 1. UNLESS OTHERWISE SPECIFIED ALL DIMENSIONS ARE IN MM.
 2. ALL SPECIFICATIONS ARE SUBJECT TO CHANGE WITHOUT NOTICE AT ANY TIME.



RECOMMENDED
 CABLE STRIPPING DIM'S



STAMP: AIR802

CRIMP SIZES REQUIRED
 CONTACT: SOLDER
 FERRULE: .256[6.5mm]

NO	Description	Qty	Material	Finish
7	Ferrule	1	Brass	Nickel
6	Press washer	1	Brass	Nickel
5	Dielectric	1	Teflon	None
4	Dielectric	1	Teflon	None
3	Pin	1	Brass	Gold
2	Pin	1	Brass	Gold
1	Body	1	Brass	Nickel

PART NO.	APPROVED	CHECKED	DRAWN
CN3UHFJ	M. Bryant		Wen
	DATE 08/10/12	DATE 08/10/12	DATE 08/10/12

* MAJOR DIMENSION	SCALE	UNIT
UNLESS OTHERWISE NOTED TOLERANCES 0.5-6 = ±0.2 6-30 = ±0.4 30-120 = ±0.6 120-315 = ±1.0 ANGLES = ±1°	3/1	mm

TITLE	DRAWING NO.	FILE NO.	REV
AIR802 LLC	UHF CRIMP JACK	W:\P~\AS\ASUHF\ASUHF-17026-Z-TGN	A
	ASUHF-17026-Z-TGN		