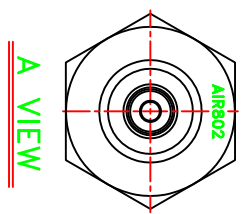
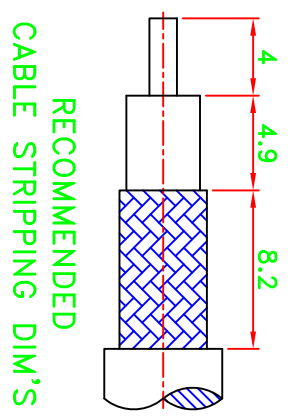
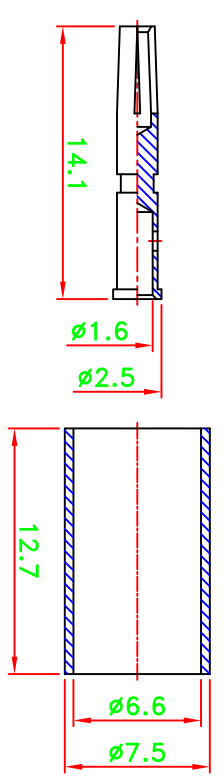
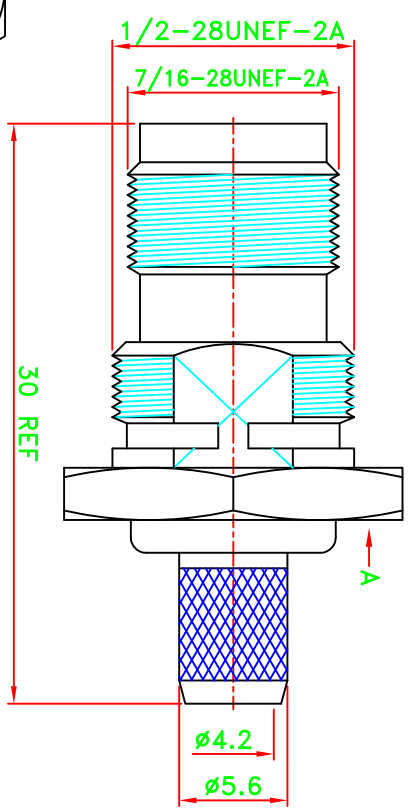
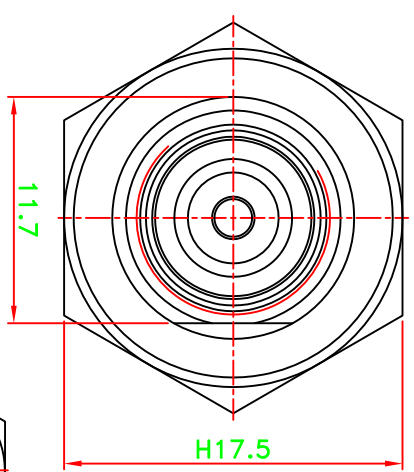


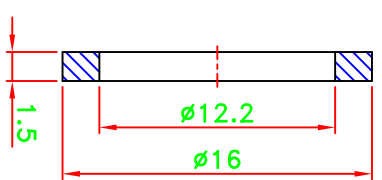
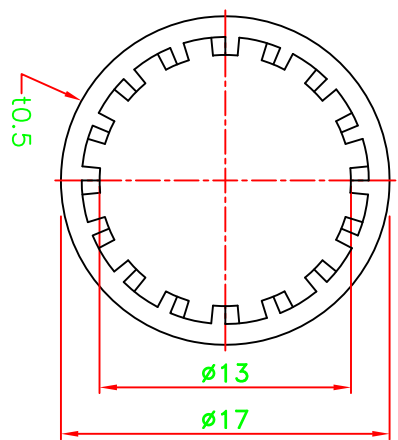
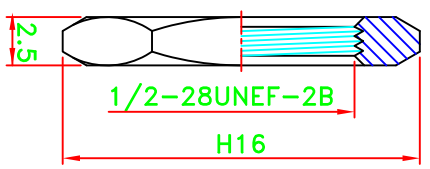
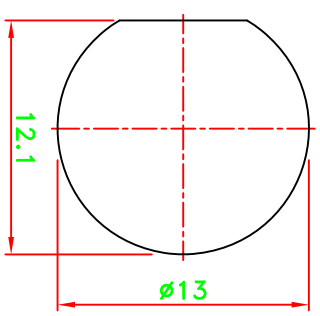
REV	DESCRIPTION \ PER REQUEST	DRAWN	DATE

CRIMP SIZES REQUIRED
CONTACT: .068[1.72mm]
FERRULE: .256[6.5mm]

NOTES:
1. UNLESS OTHERWISE SPECIFIED ALL DIMENSIONS ARE IN MM.
2. ALL SPECIFICATIONS ARE SUBJECT TO CHANGE WITHOUT NOTICE AT ANY TIME.



STAMP: AIR802



NO	DESCRIPTION/DRAWING NO.	Q'TY	MATERIAL	FINISH
8	NUT	1	BRASS	NICKEL
7	WASHER	1	BRASS	NICKEL
6	GASKET	1	RUBBER	RED
5	FERRULE	1	COPPER	NICKEL
4	BARREL	1	BRASS	NICKEL
3	INSULATOR	1	PTFE	NATURAL
2	PIN	1	BRASS	GOLD
1	BODY	1	BRASS	NICKEL

PART NO.

CN3TNJB

APPROVED

M. Bryant

DATE

05/08/14

CHECKED

05/08/14

DATE

05/08/14

DRAWN

Wen

DATE

05/08/14

* MAJOR DIMENSION

UNLESS OTHERWISE NOTED TOLERANCES

0.5-6 = ±0.2
6-30 = ±0.4
30-120 = ±0.6
120-315 = ±1.0
ANGLES = ±5°

15C00V201-003

AIR802

TNC BULKHEAD CRIMP JACK

ASTNC-15173-Z-50-TGN

FILE NO. W:\PP\AS\ASTNC\ASTNC-15173-Z-50-TGN AIR802-20140508