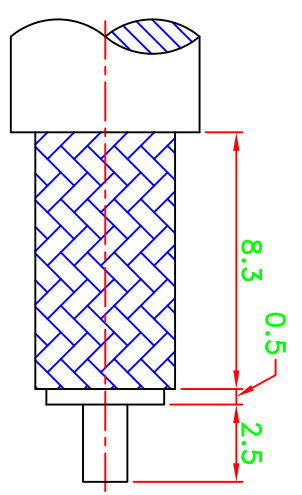


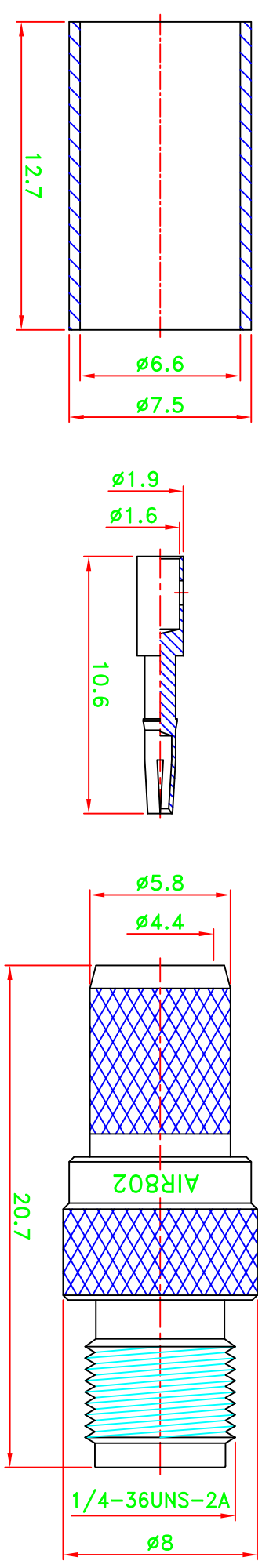
REV	DESCRIPTION \ PER REQUEST	DRAWN	DATE

CRIMP SIZES REQUIRED
CONTACT: SOLDER
FERRULE: .256[6.5mm]

- NOTES:
1. UNLESS OTHERWISE SPECIFIED ALL DIMENSIONS ARE IN MM.
2. ALL SPECIFICATIONS ARE SUBJECT TO CHANGE WITHOUT NOTICE



RECOMMENDED
CABLE STRIPPING DIM'S



70C00V001-004

STAMP: AIR802

NO	Description	Qty	Material	Finish	PART NO.	APPROVED	DATE	CHECKED	DATE	DRAWN	DATE	SCALE	UNIT	mm	FILE NO.	W:\P~\AS\ASSMA\ASSMA-10299-U1-TGN	AIR802->20120625
4	Ferrule	1	Brass	Nickel	CN3SMAJ					Wen	06/22/12	4/1	mm				
3	Dielectric	1	Teflon	None			06/22/12										
2	Pin	1	Brass	Gold			06/22/12										
1	Body	1	Brass	Nickel			06/22/12										
* MAJOR DIMENSION UNLESS OTHERWISE NOTED TOLERANCES																	
0.5-6 = ±0.2																	
6-30 = ±0.4																	
30-120 = ±0.6																	
120-315 = ±1.0																	
ANGLES = ±1°																	
<p style="text-align: center;">AIR802 LLC</p> <p style="text-align: center;">TITLE: SMA CRIMP JACK</p> <p style="text-align: center;">DRAWING NO.: ASSMA-10299-U1-TGN</p> <p style="text-align: center;">REV: A</p>																	