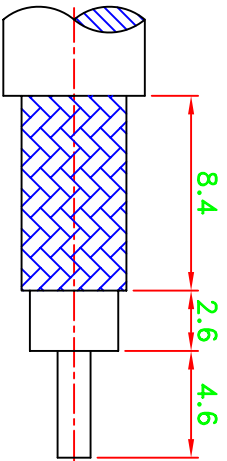
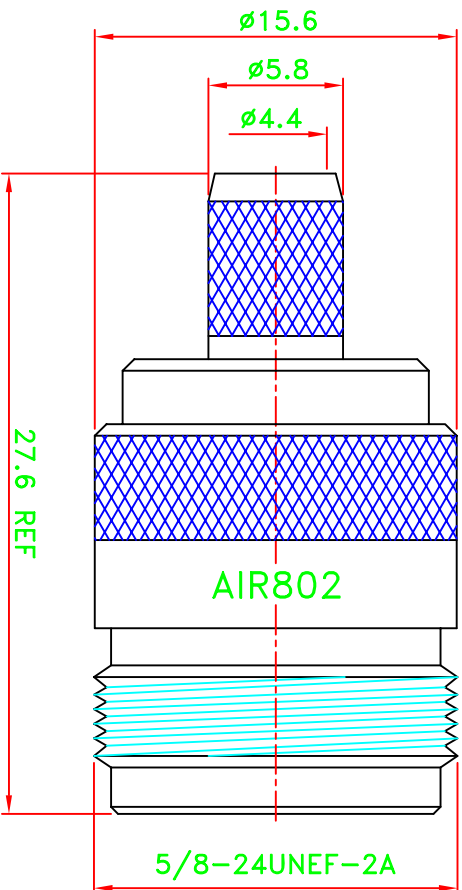
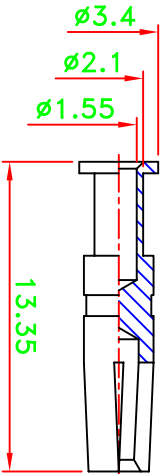
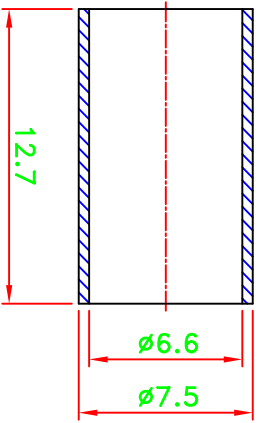


REV	DESCRIPTION \ PER REQUEST	DRAWN	DATE

CRIMP SIZES REQUIRED
CONTACT: .068 [1.75mm]
FERRULE: .256 [6.5mm]



RECOMMENDED
CABLE STRIPPING DIM'S



NOTES:
1. UNLESS OTHERWISE SPECIFIED ALL DIMENSIONS ARE IN MM.
2. ALL SPECIFICATIONS ARE SUBJECT TO CHANGE WITHOUT NOTICE.

NO	Description	Qty	Material	Finish
6	Ferrule	1	Brass	Nickel
5	Press fit ferrule stud	1	Brass	Nickel
4	Dielectric	1	Teflon	None
3	Dielectric	1	Teflon	None
2	Pin	1	Brass	Gold
1	Body	1	Brass	Nickel

PART NO.	APPROVED	CHECKED	DRAWN	DATE	SCALE	UNIT	mm
CN3NF	M. Bryant		WEN	09/26/11	3/1	mm	

STAMP: AIR802

TITLE	DRAWING NO.	FILE NO.	W:\AS\ASN-11211-U-TGN	REV
AIR802 LLC	N CRIMP JACK	ASN-11211-U-TGN		A