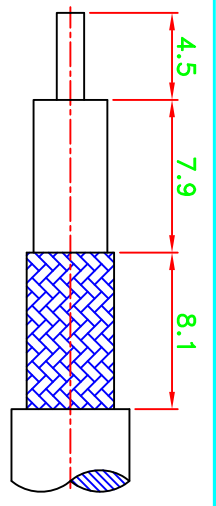


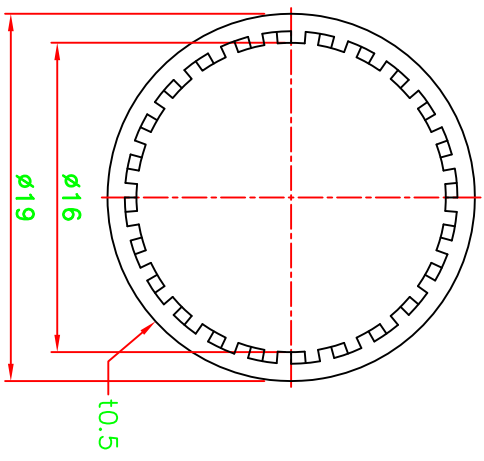
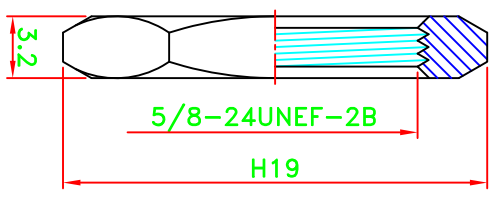
| REV | DESCRIPTION\PER REQUEST | DRAWN | DATE |
|-----|-------------------------|-------|------|
| | | | |

CRIMP SIZES REQUIRED
CONTACT: .100" [2.54mm]
FERRULE: .256" [6.5mm]

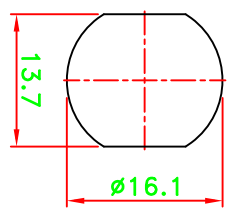
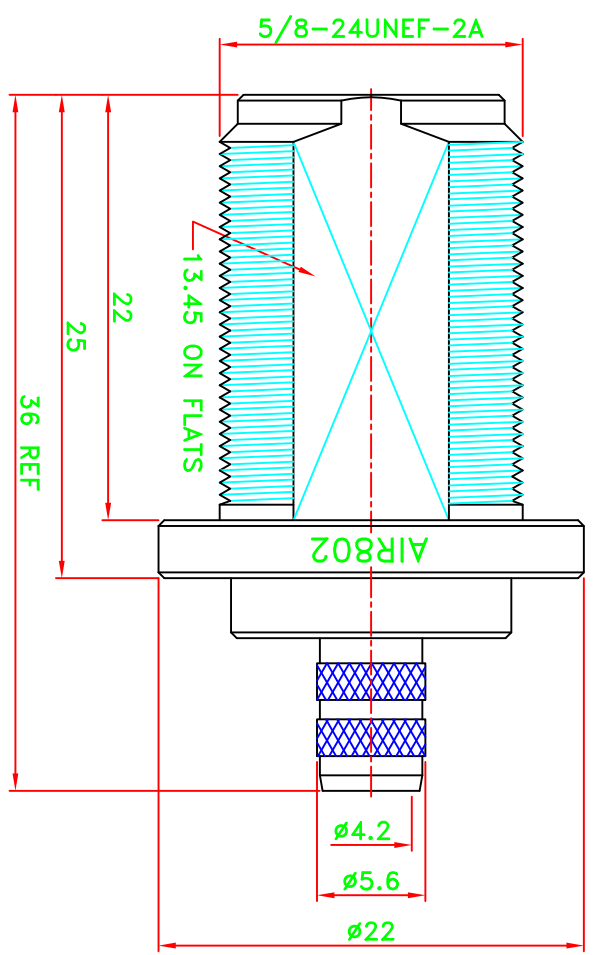
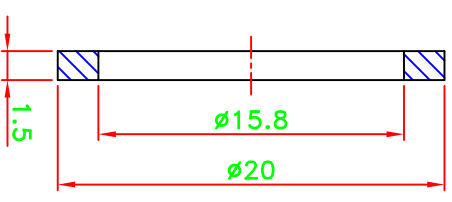
- NOTES:**
1. UNLESS OTHERWISE SPECIFIED ALL DIMENSIONS ARE IN MM.
 2. ALL SPECIFICATIONS ARE SUBJECT TO CHANGE WITHOUT NOTICE.



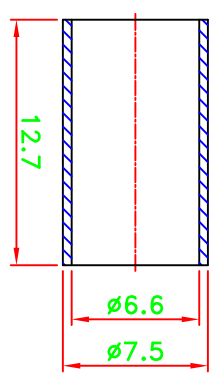
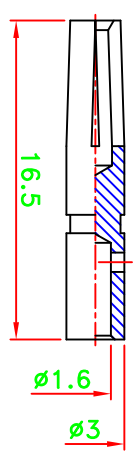
**RECOMMENDED
CABLE STRIPPING DIM'S**



STAMP: AIR802



**RECOMMENDED
MOUNTING HOLE**



NOTES: FINISH (PLATING THICKNESS IN MICRO-INCHES)
1. COPPER-TIN-ZINC PL. 100 MIN THICK OVER COPPER STRIKE

| NO | DESCRIPTION/DRAWING NO. | QTY | MATERIAL | FINISH |
|----|-------------------------|-----|-----------|---------|
| 8 | NUT | 1 | BRASS | NOTE 1 |
| 7 | WASHER | 1 | BRASS | NOTE 1 |
| 6 | GASKET | 1 | SI-RUBBER | RED |
| 5 | FERRULE | 1 | COPPER | NOTE 1 |
| 4 | BARREL | 1 | BRASS | NOTE 1 |
| 3 | INSULATOR | 1 | PTFE | NATURAL |
| 2 | PIN | 1 | BRASS | GOLD |
| 1 | BODY | 1 | BRASS | NOTE 1 |

60C00V204-000

AIR802

N BULKHEAD CRIMP JACK

ASN-11284-Z

| | |
|----------|-----------|
| PART NO. | CN3NFB |
| APPROVED | M. Bryant |
| CHECKED | Cyndi |
| DATE | 04/25/14 |

| | |
|-------------------|-----------------------------------|
| * MAJOR DIMENSION | UNLESS OTHERWISE NOTED TOLERANCES |
| | 0.5-6 = ±0.2 |
| | 6-30 = ±0.4 |
| | 30-120 = ±0.6 |
| | 120-315 = ±1.0 |
| | ANGLES = ±5° |

| | |
|-------------|-------------------------|
| TITLE | N BULKHEAD CRIMP JACK |
| DRAWING NO. | ASN-11284-Z |
| REV | A |
| SCALE | 5/2 |
| UNIT | mm |
| FILE NO. | W:\P\AS\ASN\ASN-11284-Z |
| REV | A |

AIR802->20140425