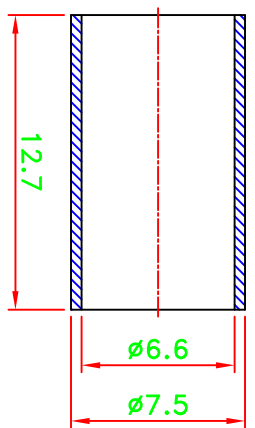
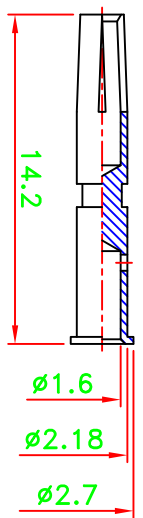
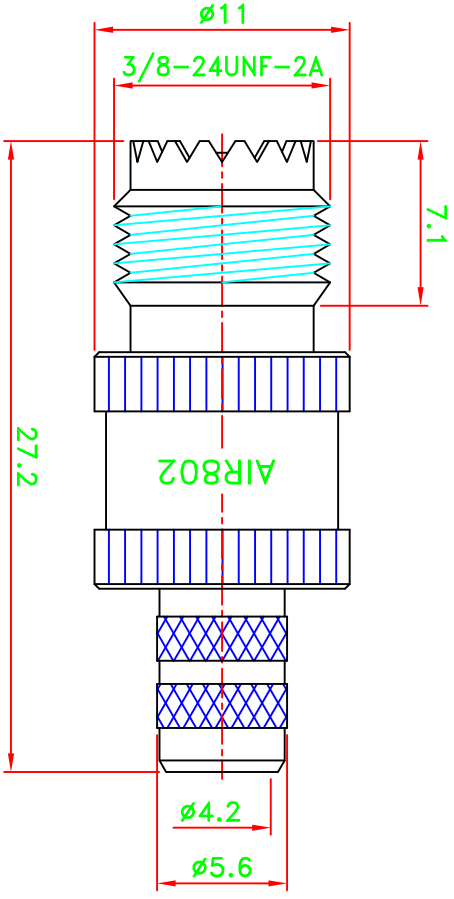
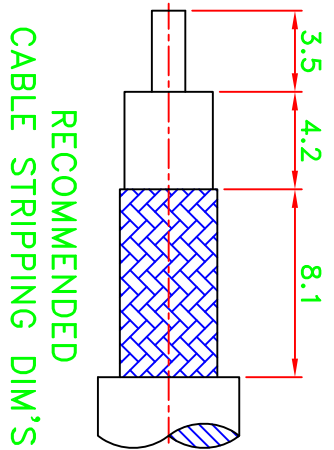


REV	DESCRIPTION \ PER REQUEST	DRAWN	DATE

RECOMMENDED CRIMP SIZE:  
 CONTACT PIN: HEX .068" [1.72mm]  
 FERRULE: HEX .256" [6.5mm]

- NOTES:
1. UNLESS OTHERWISE SPECIFIED ALL DIMENSIONS ARE IN MM.
  2. ALL SPECIFICATIONS ARE SUBJECT TO CHANGE WITHOUT NOTICE AT ANY TIME.



STAMP: AIR802

NO	DESCRIPTION / DRAWING NO.	Q'TY	MATERIAL	FINISH
5	FERRULE	1	BRASS	NICKEL
4	PRESS FIT WASHER	1	BRASS	NICKEL
3	INSULATOR	1	PTFE	NATURAL
2	PIN	1	BRASS	GOLD
1	BODY	1	BRASS	NICKEL

36C00V001-001-C

PART NO. <b>CN3MUHFJ</b>	* MAJOR DIMENSION UNLESS OTHERWISE NOTED TOLERANCES 0.5-6 = ±0.2 6-30 = ±0.4 30-120 = ±0.6 120-315 = ±1.0 ANGLES = ±5°	TITLE <b>MINI UHF CRIMP JACK</b>
APPROVED M. Bryant DATE 04/29/19	SCALE 3/1	DRAWING NO. <b>ASMU-12019-Z1-TGN</b>
CHECKED DATE 04/29/19	UNIT mm	REV <b>A</b>
DRAWN Wen DATE 04/29/19	FILE NO. W:\22\AS\ASMU\ASMU-12019-Z1-TGN AIR802->20190502	