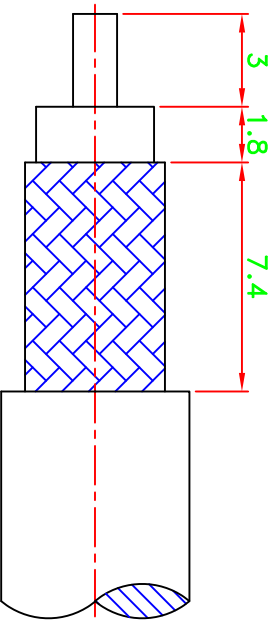


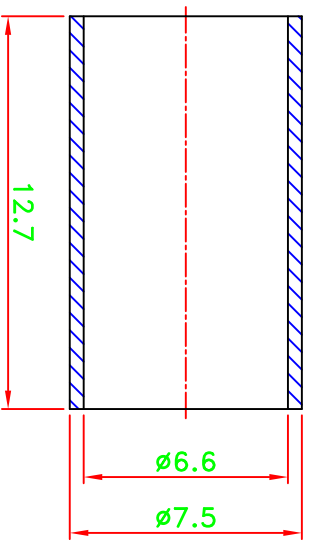
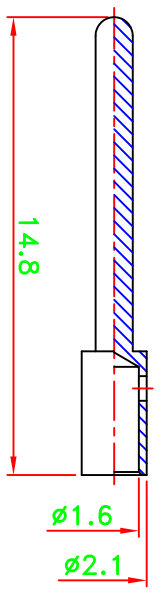
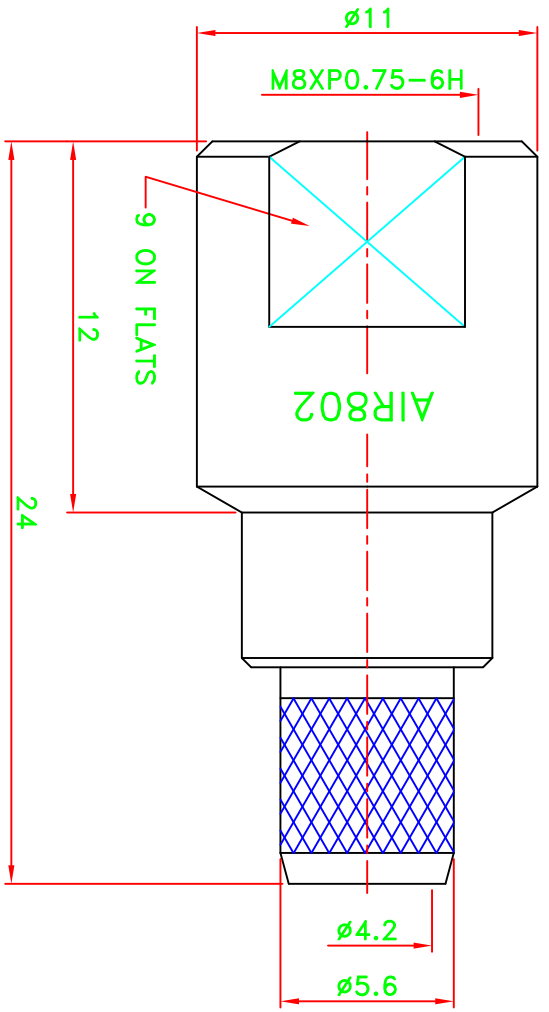
REV	DESCRIPTION \ PER REQUEST	DRAWN	DATE

CRIMP SIZES REQUIRED  
CONTACT: SOLDER  
FERRULE: .256[6.5mm]

- NOTES:
1. UNLESS OTHERWISE SPECIFIED ALL DIMENSIONS ARE IN MM.
  2. ALL SPECIFICATIONS ARE SUBJECT TO CHANGE WITHOUT NOTICE AT ANY TIME.



RECOMMENDED  
CABLE STRIPPING DIM'S



STAMP: AIR802

30C01V001-001

NO	Description	Qty	Material	Finish	PART NO.	APPROVED	DATE	CHECKED	DATE	DRAWN	DATE	SCALE	UNIT	mm	FILE NO.	TITLE	DRAWING NO.	REV
4	Ferrule	1	Brass	Nickel	CN3FMEP	M. Bryant	09/21/12			Wen	09/21/12	4/1	mm		W:\3~\AS\FME\ASFME-20023-Z-TGN AIR802->20120921	FME CRIMP PLUG	ASFME-20023-Z-TGN	A
3	Dielectric	1	Teflon	None														
2	Pin	1	Brass	Gold														
1	Body	1	Brass	Nickel														

\* MAJOR DIMENSION  
UNLESS OTHERWISE NOTED TOLERANCES  
0.5-6 = ±0.2  
6-30 = ±0.4  
30-120 = ±0.6  
120-315 = ±1.0  
ANGLES = ±1°