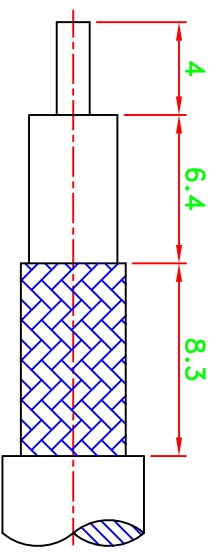


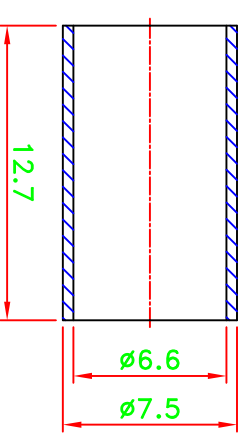
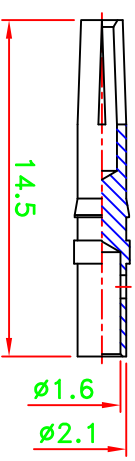
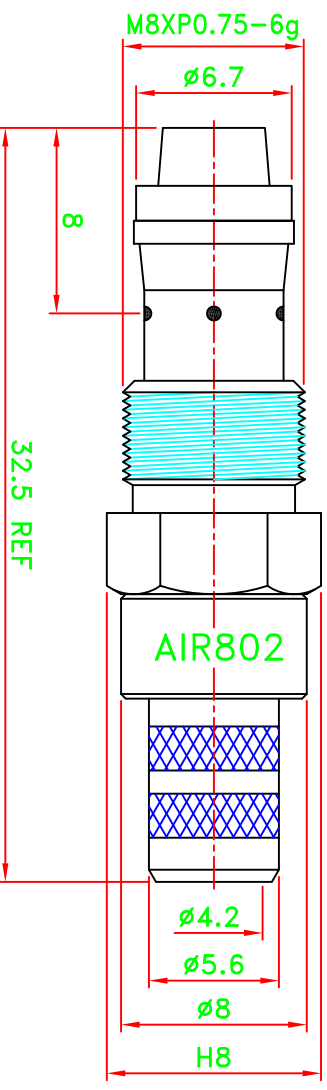
REV	DESCRIPTION\PER REQUEST	DRAWN	DATE

CRIMP SIZES REQUIRED
CONTACT: SOLDER
FERRULE: .256[6.5mm]

- NOTES:
1. UNLESS OTHERWISE SPECIFIED ALL DIMENSIONS ARE IN MM.
 2. ALL SPECIFICATIONS ARE SUBJECT TO CHANGE WITHOUT NOTICE AT ANY TIME.



RECOMMENDED
CABLE STRIPPING DIM'S



STAMP: AIR802

NO	Description	Qty	Material	Finish
6	Ferrule	1	Brass	Nickel
5	Nut	1	Brass	Nickel
4	Press fit ferrule stud	1	Brass	Nickel
3	Dielectric	1	Teflon	None
2	Pin	1	Phos Bronze	Gold
1	Body	1	Brass	Nickel

30C00V001-001

PART NO.	CN3FMEJ
APPROVED	M. Bryant
CHECKED	
DRAWN	Kdi

DATE	12/24/12
DATE	12/24/12
DATE	12/24/12

SCALE	3/1	UNIT	mm
* MAJOR DIMENSION UNLESS OTHERWISE NOTED TOLERANCES 0.5-6 = ±0.2 6-30 = ±0.4 30-120 = ±0.6 120-315 = ±1.0 ANGLES = ±1°			

TITLE		AIR802 LLC	
DRAWING NO.		FME CRIMP JACK	
FILE NO.		ASFME-20024-Z-TGN	
REV	A	REV	A

20121224