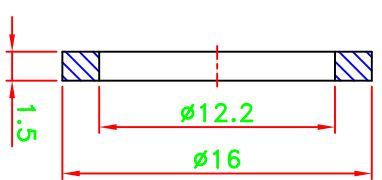
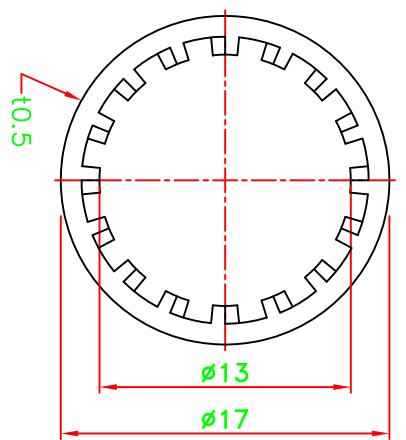
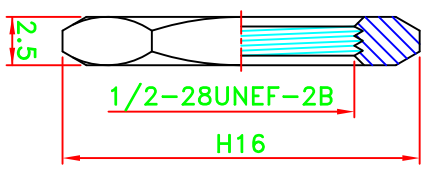
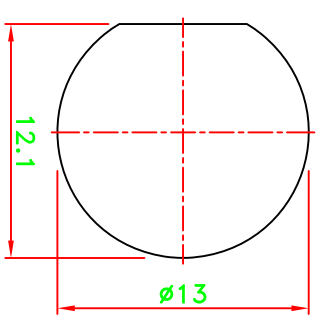
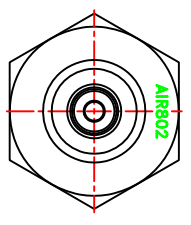
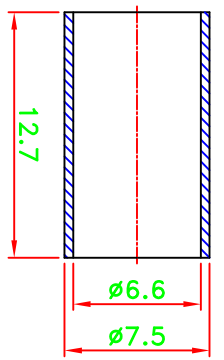
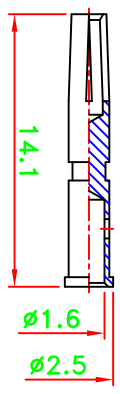
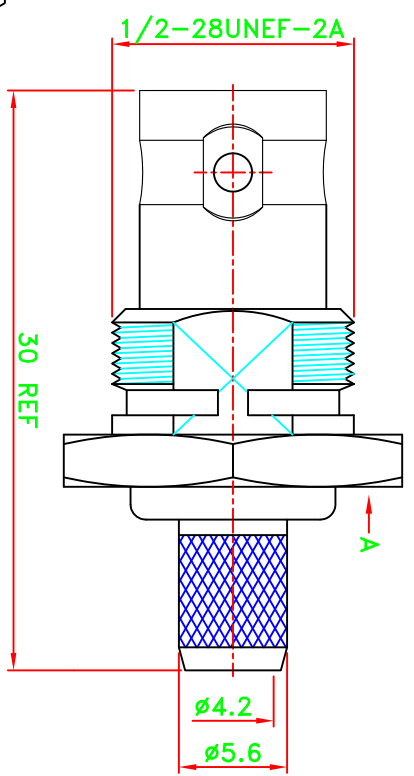
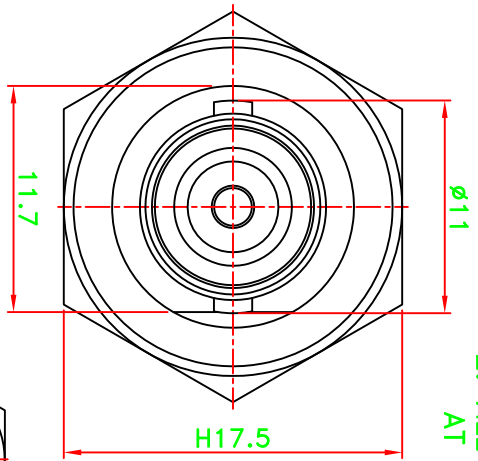
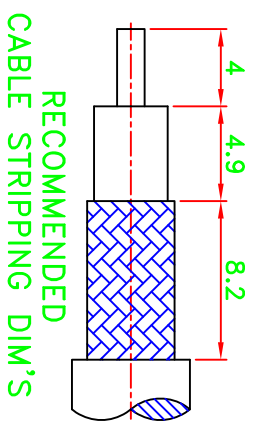


REV	DESCRIPTION \ PER REQUEST	DRAWN	DATE

CRIMP SIZES REQUIRED
CONTACT: .068" [1.72mm]
FERRULE: .256" [6.5mm]

NOTES:
 1. UNLESS OTHERWISE SPECIFIED ALL DIMENSIONS ARE IN MM.
 2. ALL SPECIFICATIONS ARE SUBJECT TO CHANGE WITHOUT NOTICE.
 AT ANY TIME.



STAMP: AIR802

NO	DESCRIPTION / DRAWING NO.	Q'TY	MATERIAL	FINISH
8	NUT	1	BRASS	NICKEL
7	WASHER	1	IRON	NICKEL
6	GASKET	1	RUBBER	RED
5	FERRULE	1	COPPER	NICKEL
4	BARREL	1	BRASS	NICKEL
3	INSULATOR	1	PTFE	NATURAL
2	PIN	1	BRASS	GOLD
1	BODY	1	BRASS	NICKEL

PART NO.

CN3BNCF

APPROVED

M. Bryant

CHECKED

Cyndi

DRAWN

Cyndi

* MAJOR DIMENSION
UNLESS OTHERWISE NOTED TOLERANCES

0.5-6 = ±0.2
 6-30 = ±0.4
 30-120 = ±0.6
 120-315 = ±1.0
 ANGLES = ±5°

AIR802

BNC BULKHEAD CRIMP JACK

TITLE
DRAWING NO.
ASBNC-13387-Z-50-TGN

10C00V201-006

FILE NO. W:\P\ASBNC\ASBNC-13387-Z-50-TGN AIR802-20141210
REV A

NO	DESCRIPTION / DRAWING NO.	Q'TY	MATERIAL	FINISH