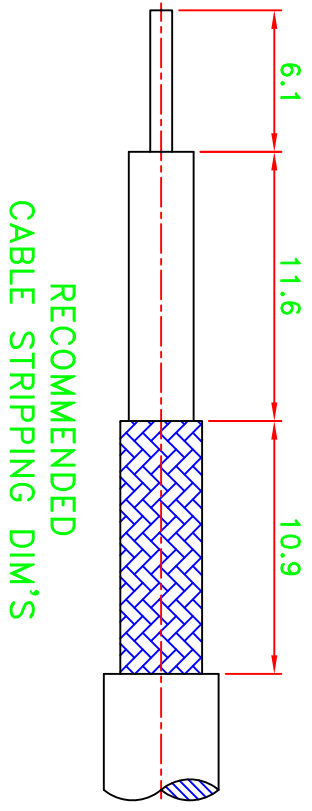
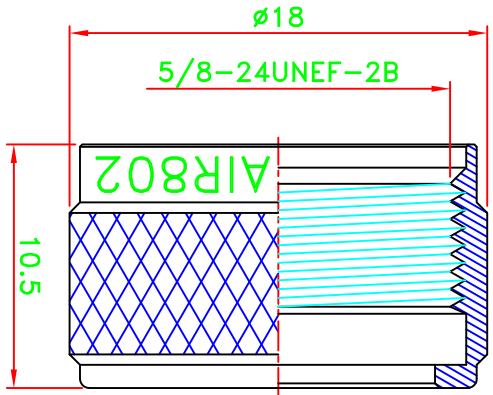
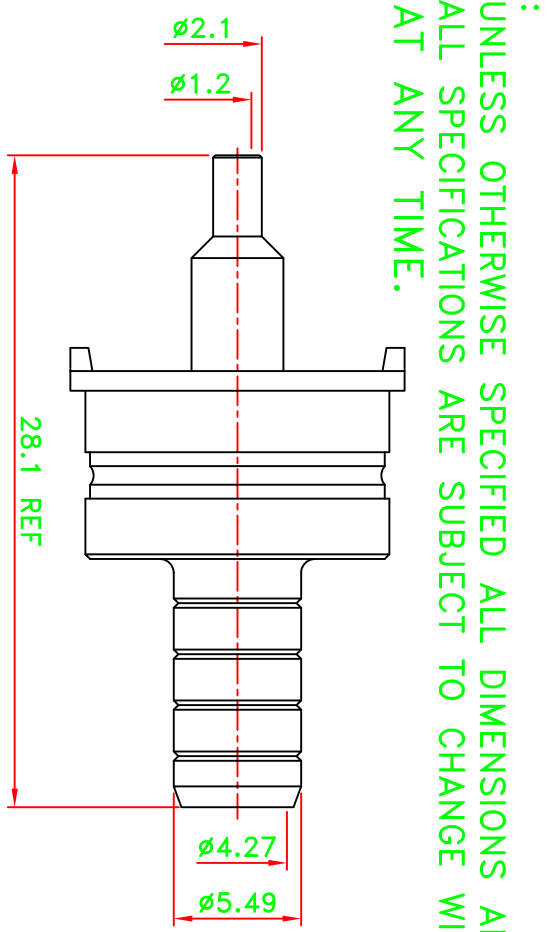


REV	DESCRIPTION\PER REQUEST	DRAWN	DATE

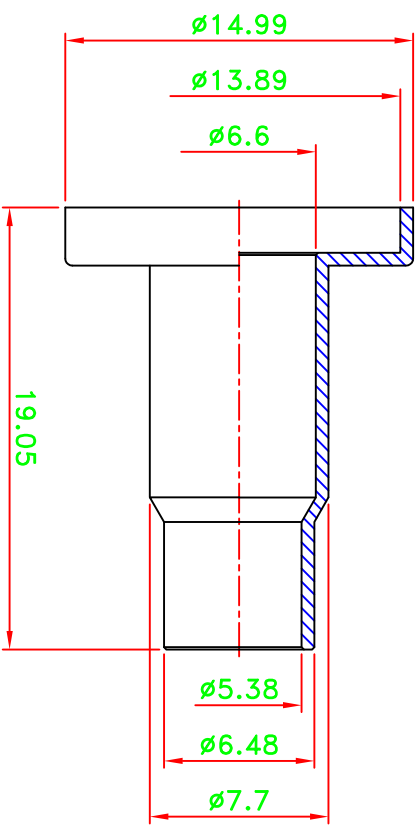
RECOMMENDED CRIMP SIZE:  
CONTACT PIN:HEX .068" OR SOLDER  
FERRULE:HEX .255"

STAMP:AIR802

NOTES:  
1. UNLESS OTHERWISE SPECIFIED ALL DIMENSIONS ARE IN MM.  
2. ALL SPECIFICATIONS ARE SUBJECT TO CHANGE WITHOUT NOTICE.  
AT ANY TIME.



RECOMMENDED  
CABLE STRIPPING DIM'S



35C01V001-004

NO	DESCRIPTION/DRAWING NO.	Q'TY	MATERIAL	FINISH
5	FERRULE	1	BRASS	NICKEL
4	SHELL	1	BRASS	NICKEL
3	INSULATOR	1	POM	NATURAL
2	PIN	1	BRASS	NICKEL
1	BODY	1	BRASS	NICKEL

PART NO.	CN2UHFFPA
APPROVED	M. Bryant
CHECKED	
DRAWN	Kdi
DATE	05/15/18

* MAJOR DIMENSION	UNLESS OTHERWISE NOTED TOLERANCES
SCALE	3/1
UNIT	mm

TITLE	UHF CRIMP PLUG
DRAWING NO.	ASUHF-17025-F4-DNN
FILE NO.	W:\P\ASUHF\ASUHF-17025-F4-DNN AIR802->20180517
REV	A

AIR802