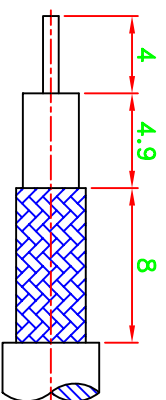


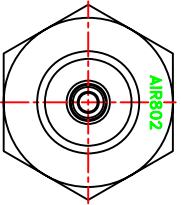
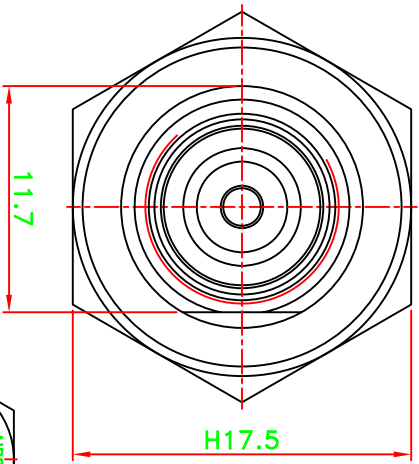
REV	DESCRIPTION \ PER REQUEST	DRAWN	DATE

NOTES:  
 1. UNLESS OTHERWISE SPECIFIED ALL DIMENSIONS ARE IN MM.  
 2. ALL SPECIFICATIONS ARE SUBJECT TO CHANGE WITHOUT NOTICE AT ANY TIME.

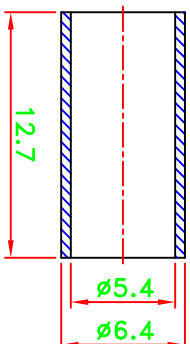
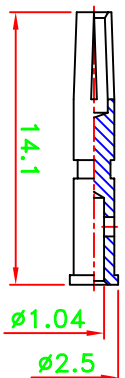
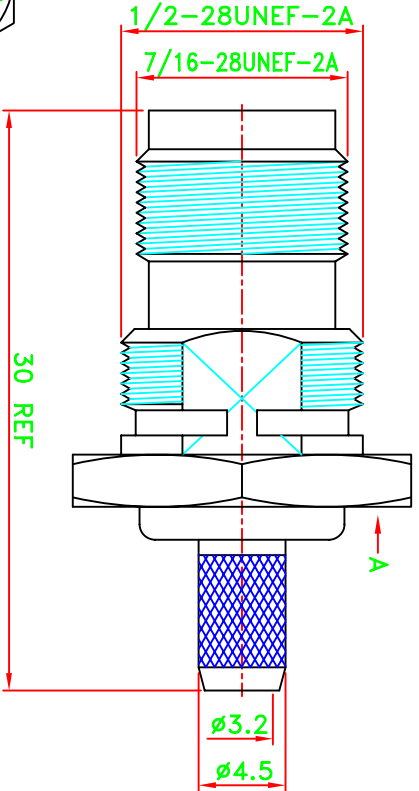
**CRIMP SIZES REQUIRED**  
**CONTACT: .068" [1.7mm]**  
**FERRULE: .213" [5.4mm]**



**RECOMMENDED**  
**CABLE STRIPPING DIM'S**

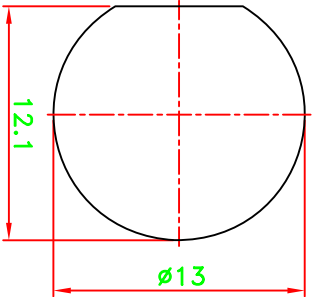


**A VIEW**

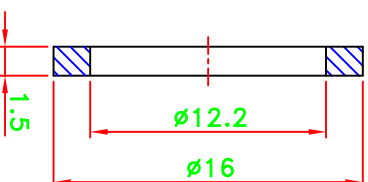
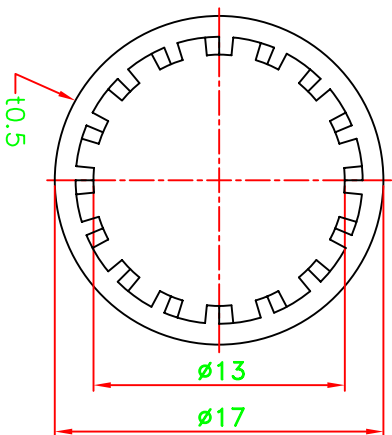
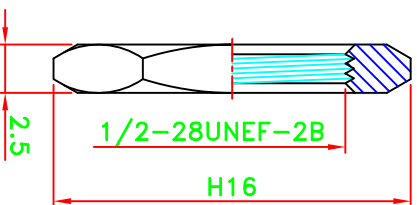


**STAMP: AIR802**

NO	Description	Qty	Material	Finish
8	Nut	1	Brass	Nickel
7	Washer	1	Iron	Nickel
6	Gasket	1	Rubber	Red
5	Ferrule	1	Brass	Nickel
4	Press fit ferrule stud	1	Brass	Nickel
3	Dielectric	1	Teflon	None
2	Pin	1	Brass	Gold
1	Body	1	Brass	Nickel



**RECOMMENDED**  
**MOUNTING HOLE**



15C00V201-002

**AIR802 LLC**

**TNC BULKHEAD CRIMP JACK**

**ASTNC-15134-F-50-TGN**

PART NO.	CN2TJJB
APPROVED	M. BRYANT
CHECKED	
DRAWN	WEN
DATE	05/06/11

UNLESS OTHERWISE NOTED TOLERANCES	0.5-6=±0.2
	6-30=±0.4
	30-120=±0.6
	120-315=±1.0
	ANGLES=±1°

TITLE	TNC BULKHEAD CRIMP JACK
DRAWING NO.	ASTNC-15134-F-50-TGN
FILE NO.	W:\AS\ASTNC\ASTNC-15134-F-50-TGN
SCALE	5/2
UNIT	mm
REV	A