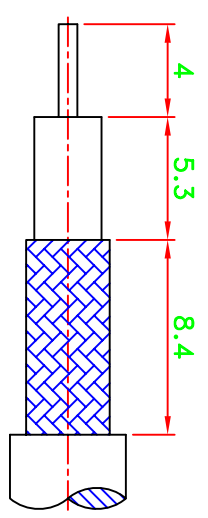
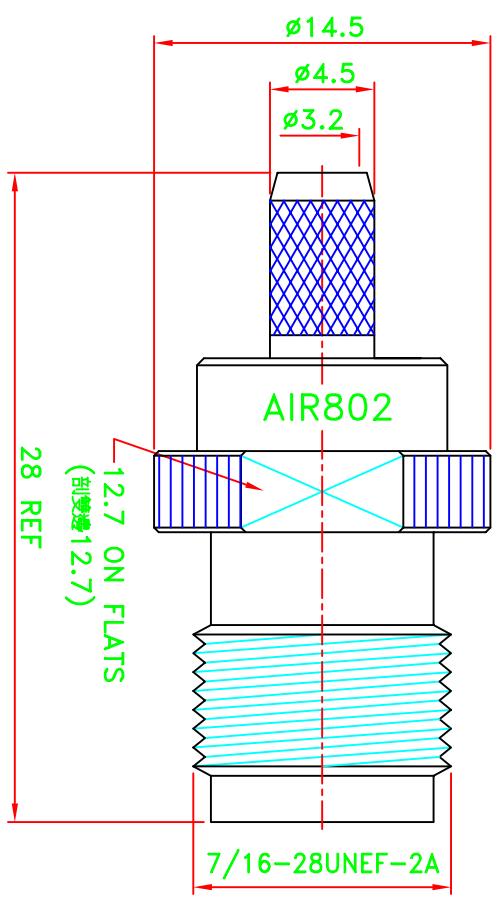
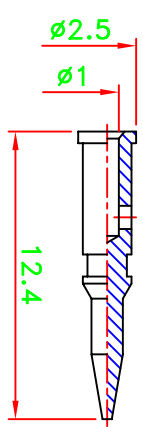
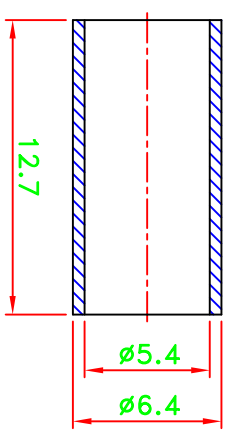


REV	DESCRIPTION \ PER REQUEST	DRAWN	DATE

CRIMP SIZES REQUIRED
CONTACT: .068" [1.7mm]
FERRULE: .213" [5.4mm]



**RECOMMENDED
CABLE STRIPPING DIMENSION**



NOTES:
1. UNLESS OTHERWISE SPECIFIED ALL DIMENSIONS ARE IN MM.
2. ALL SPECIFICATIONS ARE SUBJECT TO CHANGE WITHOUT NOTICE.

NO	Description	Qty	Material	Finish
5	Ferrule	1	Brass	Nickel
4	Press off ferrule stud	1	Brass	Nickel
3	Dielectric	1	Teflon	None
2	Pin	1	Brass	Gold
1	Body	1	Brass	Nickel

PART NO.	APPROVED	CHECKED	DRAWN
CN2RTJ	M. Bryant		WEN
DATE	DATE	DATE	DATE
01/20/09	01/20/09	01/20/09	01/20/09

* MAJOR DIMENSION	SCALE	UNIT
UNLESS OTHERWISE NOTED TOLERANCES	3/1	mm
0.5-6 = ±0.2		
6-30 = ±0.4		
30-120 = ±0.6		
120-315 = ±1.0		
ANGLES = ±1°		

TITLE	DRAWING NO.	REV
AIR802 LLC	TNC REVERSE POLARITY CRIMP JACK	A
FILE NO. W:\na\astnc\astnc-15120-f-rp-50-tgn	ASTNC-15120-F-RP-50-TGN	