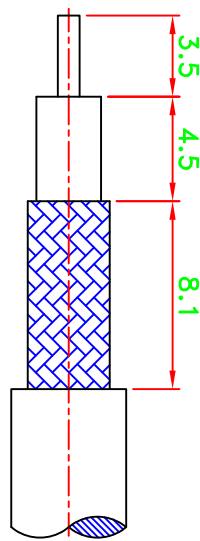


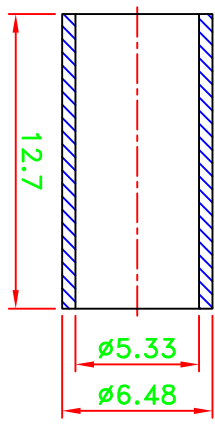
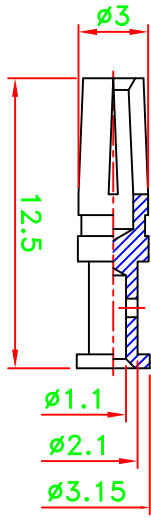
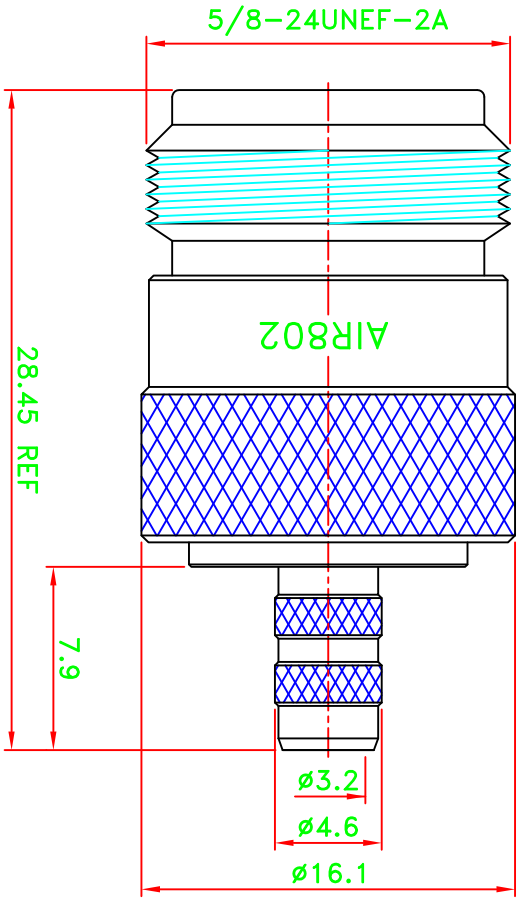
REV	DESCRIPTION \ PER REQUEST	DRAWN	DATE

**CRIMP SIZES REQUIRED**  
**CONTACT: .068[1.7mm]**  
**FERRULE: .213[5.4mm]**

**NOTES:**  
 1. UNLESS OTHERWISE SPECIFIED ALL DIMENSIONS ARE IN MM.  
 2. ALL SPECIFICATIONS ARE SUBJECT TO CHANGE WITHOUT NOTICE AT ANY TIME.



**RECOMMENDED  
 CABLE STRIPPING DIM'S**



**STAMP: AIR802**

60C00V001-003

NO	DESCRIPTION/DRAWING NO. Q'TY	MATERIAL	FINISH
5	FERRULE 1	COPPER	NICKEL
4	BARREL 1	BRASS	NICKEL
3	INSULATOR 1	PTFE	NATURAL
2	PIN 1	BRASS	GOLD
1	BODY 1	BRASS	NICKEL

PART NO.	APPROVED	CHECKED	DRAWN
CN2NF	M. Bryant		Kdj
DATE	DATE	DATE	DATE
02/26/14	02/26/14	02/26/14	02/26/14

SCALE	UNIT	mm
3/1	mm	mm

TITLE	DRAWING NO.	REV
AIR802	N CRIMP JACK	C
FILE NO. W:\P\AS\ASN\ASN-11182-F-TGN	ASN-11182-F-TGN	