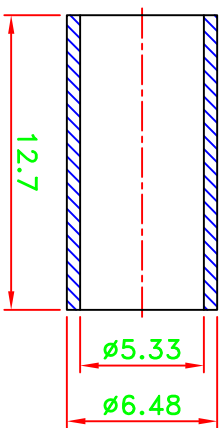
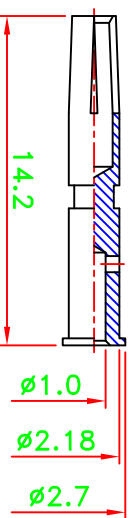
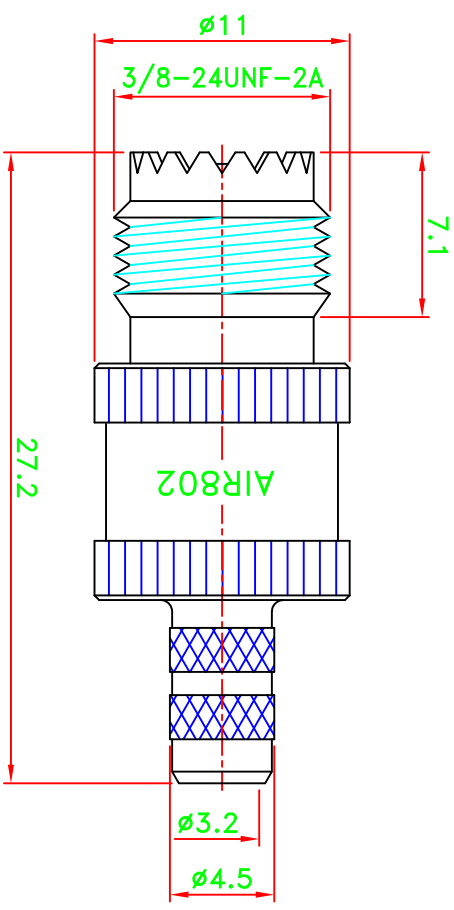
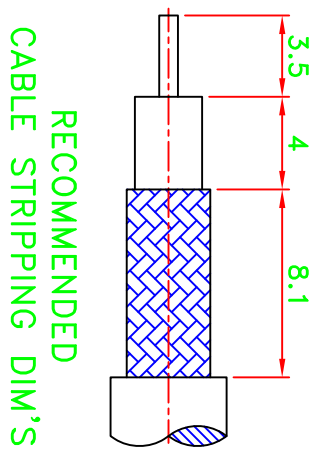


| REV | DESCRIPTION \ PER REQUEST | DRAWN | DATE |
|-----|---------------------------|-------|------|
|     |                           |       |      |

RECOMMENDED CRIMP SIZE:  
 CONTACT PIN:HEX .068" [1.72mm]  
 FERRULE:HEX .213" [5.41mm]

- NOTES:
1. UNLESS OTHERWISE SPECIFIED ALL DIMENSIONS ARE IN MM.
  2. ALL SPECIFICATIONS ARE SUBJECT TO CHANGE WITHOUT NOTICE AT ANY TIME.



STAMP: AIR802

| NO | DESCRIPTION/DRAWING NO. | Q'TY | MATERIAL | FINISH  |
|----|-------------------------|------|----------|---------|
| 5  | FERRULE                 | 1    | BRASS    | NICKEL  |
| 4  | PRESS FIT WASHER        | 1    | BRASS    | NICKEL  |
| 3  | INSULATOR               | 1    | PTFE     | NATURAL |
| 2  | PIN                     | 1    | BRASS    | GOLD    |
| 1  | BODY                    | 1    | BRASS    | NICKEL  |

36C00V001-000-C

|   |  |  |
|---|--|--|
| PART NO.<br><b>CN2MUHFJ</b>               | * MAJOR DIMENSION<br>UNLESS OTHERWISE NOTED TOLERANCES<br>0.5-6 = ±0.2<br>6-30 = ±0.4<br>30-120 = ±0.6<br>120-315 = ±1.0<br>ANGLES = ±5° | TITLE<br><b>MINI UHF CRIMP JACK</b>    |
| APPROVED<br>M. Bryant<br>DATE<br>04/29/19 | SCALE<br>3/1   | DRAWING NO.<br><b>ASMU-12019-F-TGN</b> |
| CHECKED<br>DATE<br>04/29/19               | UNIT<br>mm   | REV<br><b>A</b>                        |
| DRAWN<br><b>Wen</b><br>DATE<br>04/29/19   | FILE NO. W:\??\AS\ASMU\ASMU-12019-F-TGN AIR802->20190502   |  |