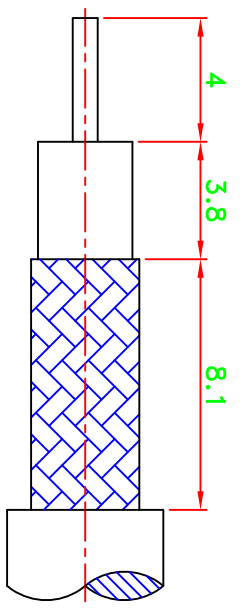
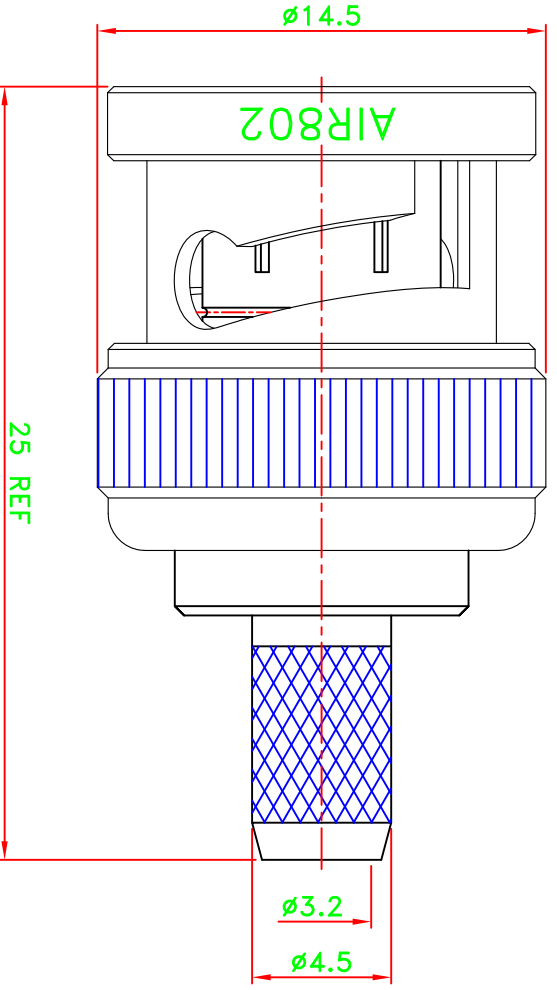
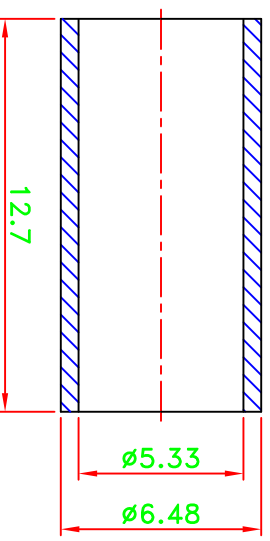
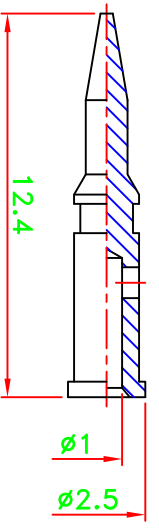


REV	DESCRIPTION \ PER REQUEST	DRAWN	DATE
D	FERRULE CHANGE TO COPPER	YU	2014/6/6

CRIMP SIZES REQUIRED
CONTACT: .068 [1.7mm]
FERRULE: .213 [5.41mm]



RECOMMENDED
CABLE STRIPPING DIM'S



NO	DESCRIPTION/DRAWING NO.	Q'TY	MATERIAL	FINISH
9	FERRULE	1	COPPER	NICKEL
8	SHELL	1	BRASS	NICKEL
7	GASKET	1	RUBBER	RED
6	RETAINING RING	1	SK5	NICKEL
5	SPRING	1	SK5	NICKEL
4	WASHER	1	BRASS	NICKEL
3	INSULATOR	1	PTFE	NATURAL
2	PIN	1	BRASS	GOLD
1	BODY	1	BRASS	NICKEL

STAMP: AIR802

NOTES:
 1. UNLESS OTHERWISE SPECIFIED ALL DIMENSIONS ARE IN MM.
 2. ALL SPECIFICATIONS ARE SUBJECT TO CHANGE WITHOUT NOTICE. 10C01V001-002

PART NO.	CN2BNCM	* MAJOR DIMENSION	UNLESS OTHERWISE NOTED TOLERANCES	TITLE	AIR802
APPROVED	M. Bryant	DATE	0.5-6 = ±0.2	DRAWING NO.	BNC CRIMP PLUG
CHECKED		DATE	6-30 = ±0.4	FILE NO.	ASBNC-13173-F-50-TGN
DRAWN	YU	DATE	30-120 = ±0.6	SCALE	4/1
			120-315 = ±1.0	UNIT	mm
			ANGLES = ±5°	REV	D