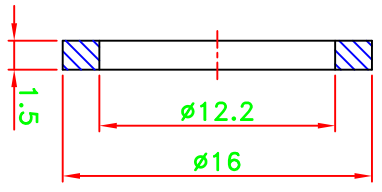
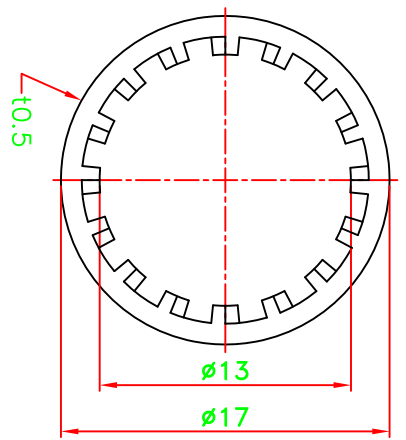
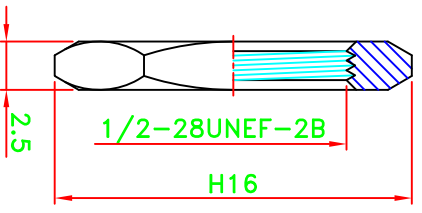
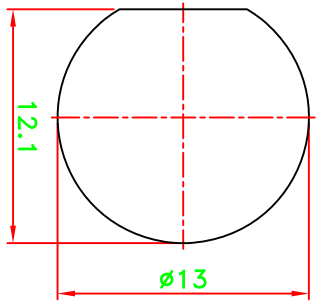
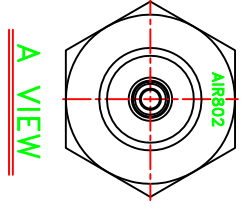
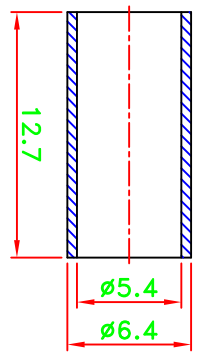
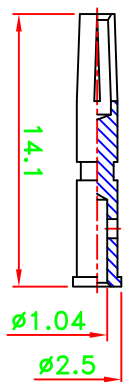
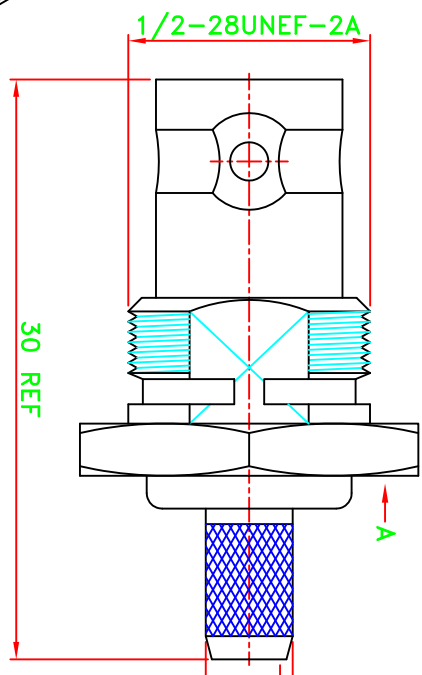
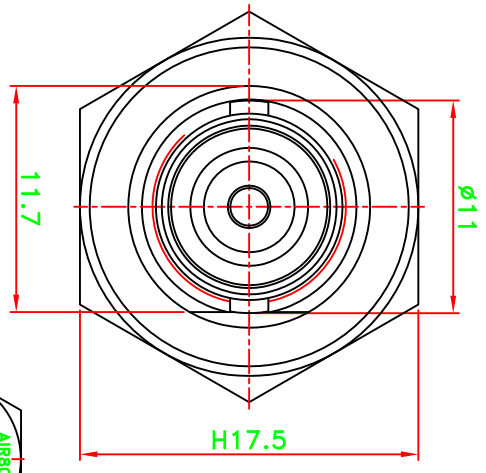
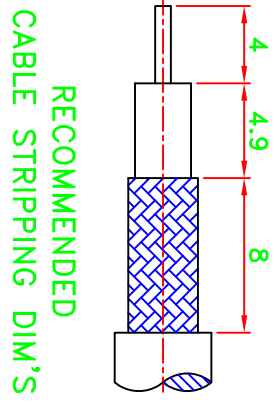


REV	DESCRIPTION \ PER REQUEST	DRAWN	DATE

NOTES:  
 1. UNLESS OTHERWISE SPECIFIED ALL DIMENSIONS ARE IN MM.  
 2. ALL SPECIFICATIONS ARE SUBJECT TO CHANGE WITHOUT NOTICE AT ANY TIME.

**CRIMP SIZES REQUIRED**  
**CONTACT: .068[1.7mm]**  
**FERRULE: .213[5.4mm]**



10C00V201-002

**STAMP: AIR802**

NO	Description	Qty	Material	Finish
8	Nut	1	Brass	Nickel
7	Washer	1	Iron	Nickel
6	Gasket	1	Rubber	Red
5	Ferrule	1	Brass	Nickel
4	Press fit ferrule stud	1	Brass	Nickel
3	Dielectric	1	Teflon	None
2	Pin	1	Brass	Gold
1	Body	1	Brass	Nickel

PART NO.	APPROVED	CHECKED	DRAWN
CN2BNCFB	M. BRYANT		WEN
DATE	DATE	DATE	DATE
02/07/12	02/07/12	02/07/12	02/07/12

\* MAJOR DIMENSION UNLESS OTHERWISE NOTED TOLERANCES

0.5-6 = ±0.2  
 6-30 = ±0.4  
 30-120 = ±0.6  
 120-315 = ±1.0  
 ANGLES = ±1°

SCALE	UNIT	mm
5/2	mm	mm

TITLE	DRAWING NO.	REV
<b>AIR802 LLC</b>	BNC BULKHEAD CRIMP JACK	A
FILE NO. W:\77-1\ASBNC\ASBNC-13314-F-50-TGN	ASBNC-13314-F-50-TGN	AIR802->20120208