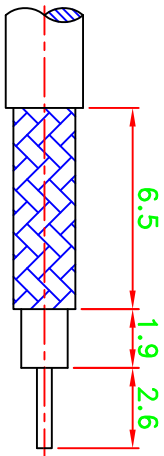
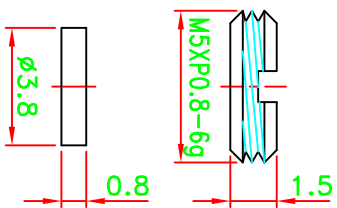
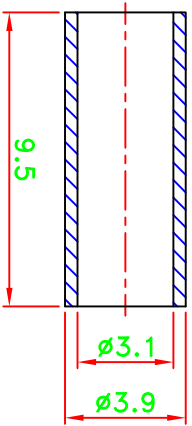


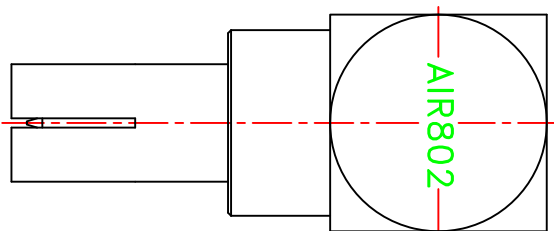
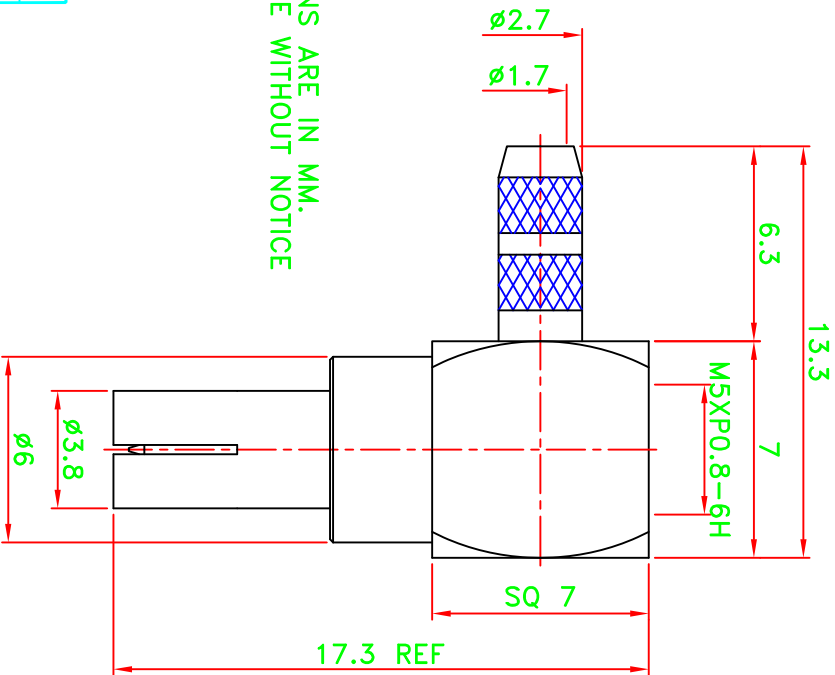
REV	DESCRIPTION \ PER REQUEST	DRAWN	DATE



RECOMMENDED
CABLE STRIPPING DIM'S



CRIMP SIZES REQUIRED
CONTACT: SOLDER
FERRULE: .128" [3.25mm]



NOTES:
1. UNLESS OTHERWISE SPECIFIED ALL DIMENSIONS ARE IN MM.
2. ALL SPECIFICATIONS ARE SUBJECT TO CHANGE WITHOUT NOTICE AT ANY TIME.

STAMP: AIR802

NO	DESCRIPTION/DRAWING NO.	Q'TY	MATERIAL	FINISH
7	SCREW	1	BRASS	GOLD
6	INSULATOR	1	PTFE	NATURAL
5	FERRULE	1	COPPER	GOLD
4	INSULATOR	1	PTFE	NATURAL
3	PIN	1	BRASS	GOLD
2	BODY	1	BRASS	GOLD
1	BODY	1	BRASS	GOLD

FOC01R000-000

PART NO. CN1TS9RA		* MAJOR DIMENSION	
APPROVED M. Bryant	DATE 01/23/14	UNLESS OTHERWISE NOTED TOLERANCES	
CHECKED	DATE	0.5-6 = ±0.2	
DRAWN	DATE	6-30 = ±0.4	
Kdi	01/23/14	30-120 = ±0.6	
		120-315 = ±1.0	
		ANGLES = ±5°	
SCALE	4/1	UNIT	mm
FILE NO.	W:\P\AS\ASPP\AS-23115-L-TGG		
TITLE	AIR802		
DRAWING NO.	TS9 RIGHT ANGLE CRIMP PLUG		
REV	A		