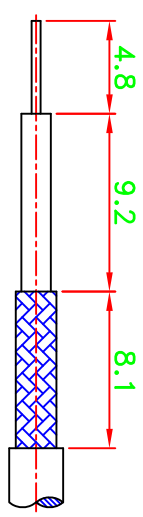
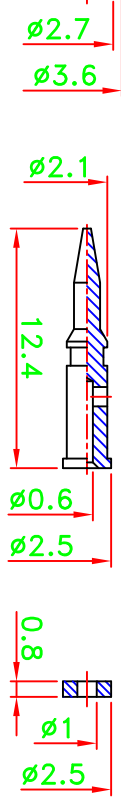
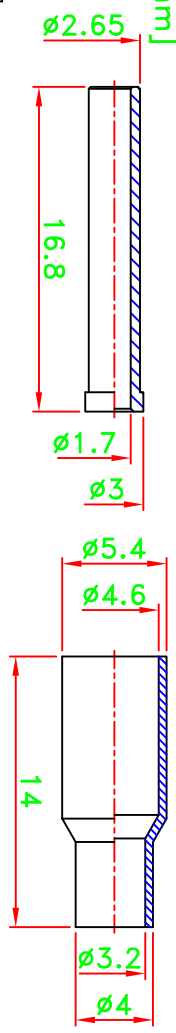
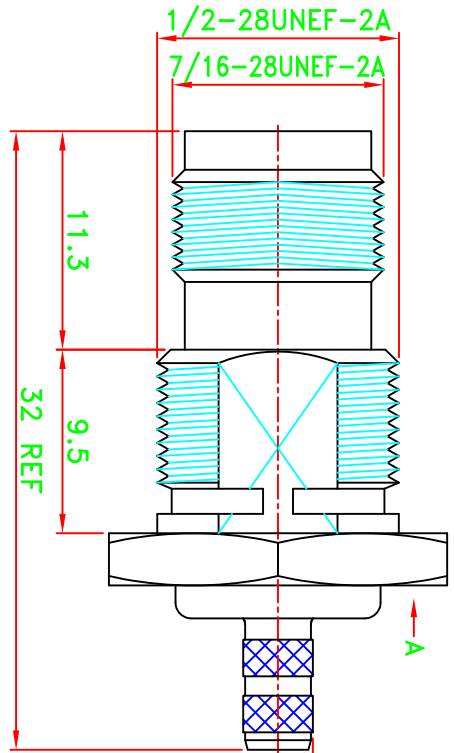
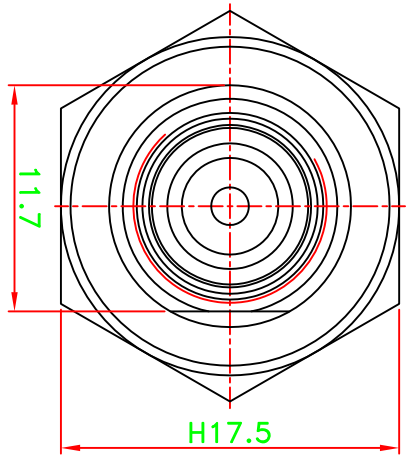


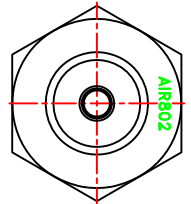
REV	DESCRIPTION \ PER REQUEST	DRAWN	DATE

CRIMP SIZES REQUIRED  
 CONTACT: .068" [1.72mm]  
 STAMP: AIR802  
 FERRULE: .178" [4.52mm]

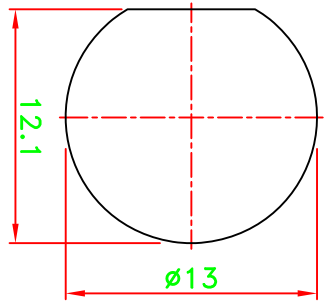
NOTES:  
 1. UNLESS OTHERWISE SPECIFIED ALL DIMENSIONS ARE IN MM.  
 2. ALL SPECIFICATIONS ARE SUBJECT TO CHANGE WITHOUT NOTICE AT ANY TIME.



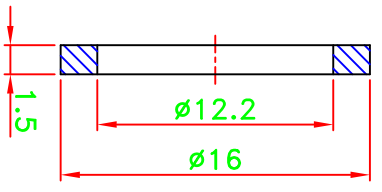
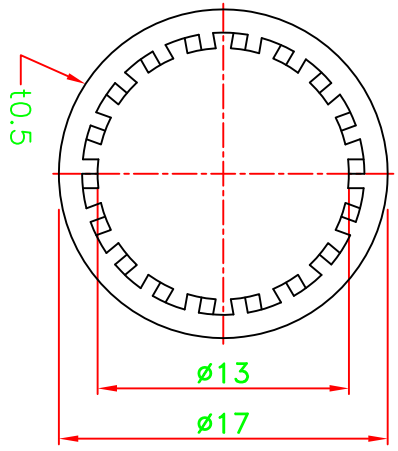
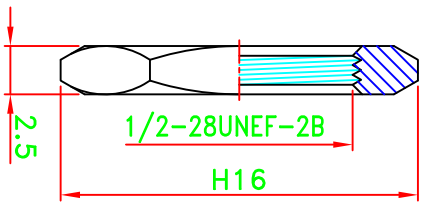
RECOMMENDED  
 CABLE STRIPPING DIM'S



A VIEW



RECOMMENDED  
 MOUNTING HOLE



NO	DESCRIPTION/DRAWING NO.	QTY	MATERIAL	FINISH
10	NUT	1	BRASS	NICKEL
9	WASHER	1	IRON	NICKEL
8	GASKET	1	RUBBER	RED
7	FERRULE	1	BRASS	NICKEL
6	FERRULE	1	BRASS	NICKEL
5	INSULATOR	1	PTFE	NATURAL
4	BARREL	1	BRASS	NICKEL
3	INSULATOR	1	PTFE	NATURAL
2	PIN	1	BRASS	GOLD
1	BODY	1	BRASS	NICKEL

PART NO. CN1RTJB		* MAJOR DIMENSION	
APPROVED	DATE	UNLESS OTHERWISE NOTED	TOLERANCES
M. Bryant	10/20/16	0.5-6	±0.2
CHECKED	DATE	6-30	±0.4
	10/20/16	30-120	±0.6
DRAWN	DATE	120-315	±1.0
Kdi	10/20/16	ANGLES	±5°
SCALE	5/2	UNIT	mm
TITLE		DRAWING NO.	
TNC R/P BULKHEAD CRIMP JACK		ASTNC-15134-L-RP-50-TGN	
AIR802		REV A	
15C00V301-001		FILE NO. W:\77\AS\ASTNC\ASTNC-15134-L-RP-50-TGN AIR802->20161021	