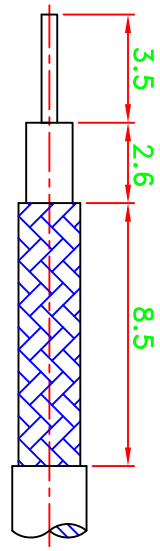


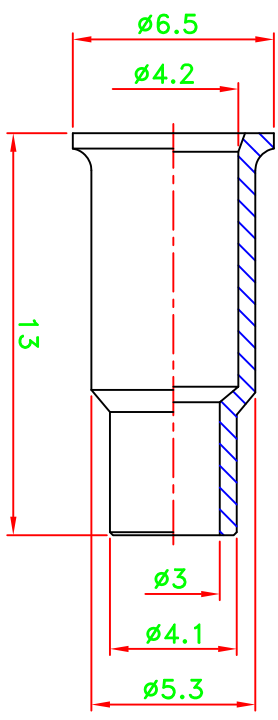
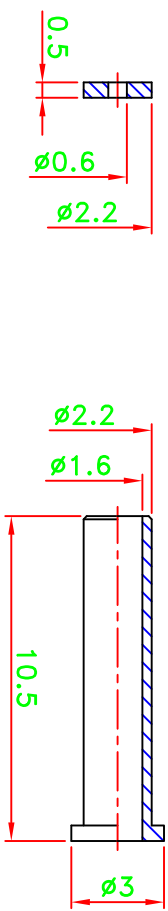
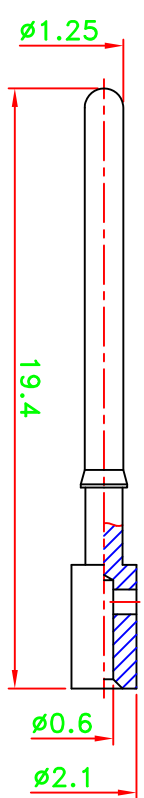
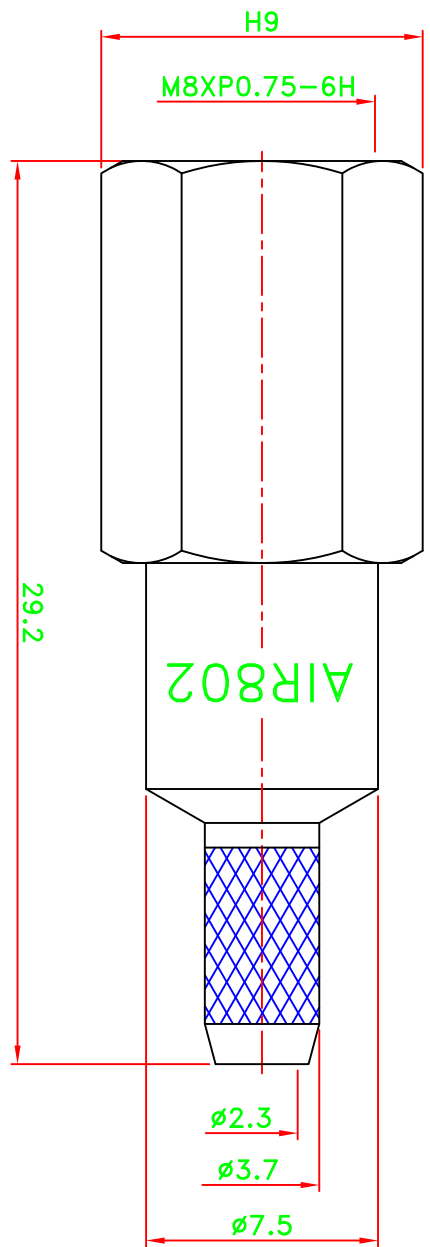
REV	DESCRIPTION\PER REQUEST	DRAWN	DATE

CRIMP SIZES REQUIRED
CONTACT: .069" [1.75mm]
FERRULE: .178" [4.52mm]

- NOTES:
1. UNLESS OTHERWISE SPECIFIED ALL DIMENSIONS ARE IN MM.
2. ALL SPECIFICATIONS ARE SUBJECT TO CHANGE WITHOUT NOTICE AT ANY TIME.



RECOMMENDED
CABLE STRIPPING DIM'S



NO	DESCRIPTION/DRAWING NO.	Q'TY	MATERIAL	FINISH
7	FERRULE	1	BRASS	GOLD
6	FERRULE	1	BRASS	GOLD
5	INSULATOR	1	PTFE	NATURAL
4	INSULATOR	1	PTFE	NATURAL
3	INSULATOR	1	PTFE	NATURAL
2	PIN	1	BRASS	GOLD
1	BODY	1	BRASS	GOLD

STAMP: AIR802

PART NO.	CN1FMEP
APPROVED	M. Bryant
CHECKED	
DRAWN	Wen
DATE	01/23/14

* MAJOR DIMENSION

UNLESS OTHERWISE NOTED TOLERANCES

- 0.5-6 = ±0.2
- 6-30 = ±0.4
- 30-120 = ±0.6
- 120-315 = ±1.0
- ANGLES = ±5°

SCALE	4/1
UNIT	mm

AIR802 LLC

FME CRIMP PLUG

DRAWING NO. ASFME-20010-L1-TGG

30C01V001-002

FILE NO. W:\P\Y\ASFME\ASFME-20010-L1-TGG AIR802->20140123

REV A