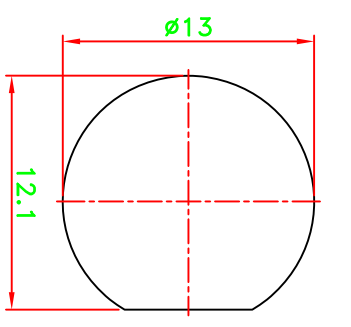


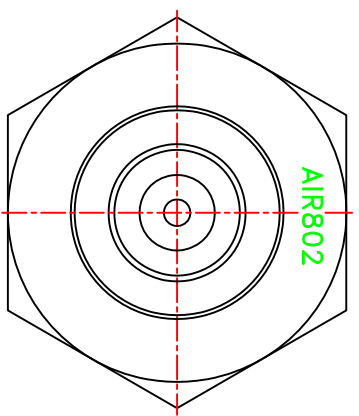
REV	DESCRIPTION \ PER REQUEST	DRAWN	DATE

NOTES:
 1. UNLESS OTHERWISE SPECIFIED ALL DIMENSIONS ARE IN MM.
 2. ALL SPECIFICATIONS ARE SUBJECT TO CHANGE WITHOUT NOTICE AT ANY TIME.

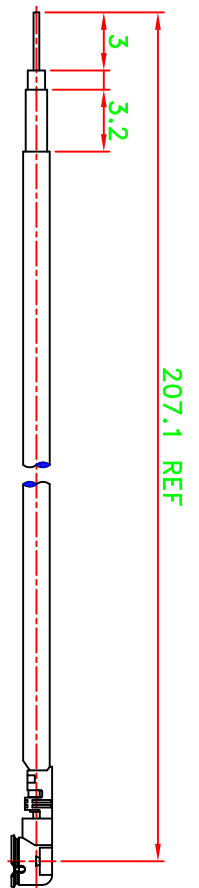
FREQUENCY RANGE: 0~6GHZ
 VSWR: 1.4 Max.



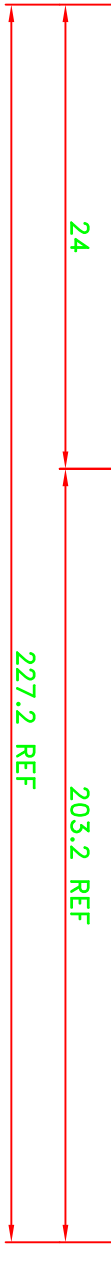
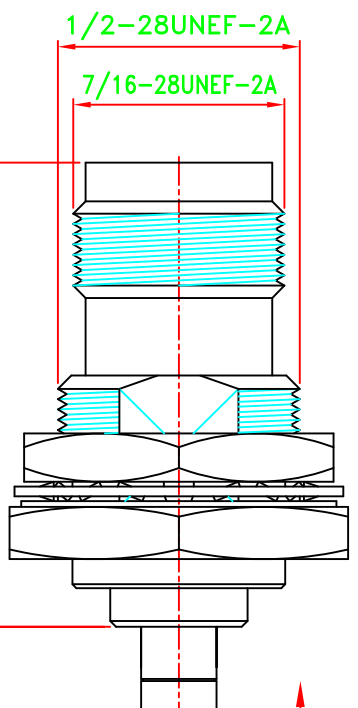
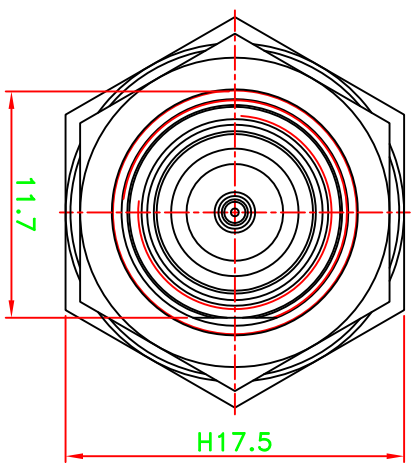
RECOMMENDED MOUNTING HOLE



A VIEW



RECOMMENDED CABLE STRIPPING DIM'S



AC-20142B

NO	Title/Drawing No.	Qty	Material	Finish
3	Cable(1.37mm)	1		
2	U.FL	1		
1	ASTNC-15174-AG-RP-TGN	1		

PART NO.	CA137-RTJBUFFL-0081
APPROVED	M. Bryant
DATE	03/08/13
CHECKED	
DATE	03/08/13
DRAWN	Kdi
DATE	03/08/13

TITLE	FILE NO.
AIR802 LLC	W:\P\~\AS\ASCA\ASCA-33084-AG2-RP AIR802->20130311
CABLE ASSEMBLY	
DRAWING NO.	ASCA-33084-AG2-RP
SCALE	5/2
UNIT	mm
REVISION	REV A

* MAJOR DIMENSION UNLESS OTHERWISE NOTED TOLERANCES
 0.5-6 = ±0.2
 6-30 = ±0.4
 30-120 = ±0.6
 120-315 = ±1.0
 ANGLES = ±1°