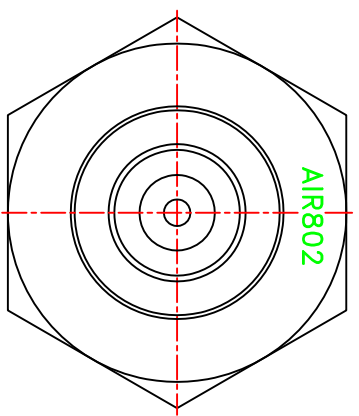
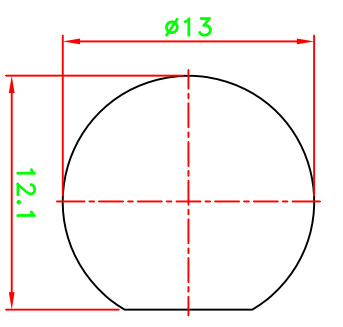


| REV | DESCRIPTION \ PER REQUEST | DRAWN | DATE |
|-----|---------------------------|-------|------|
| | | | |
| | | | |

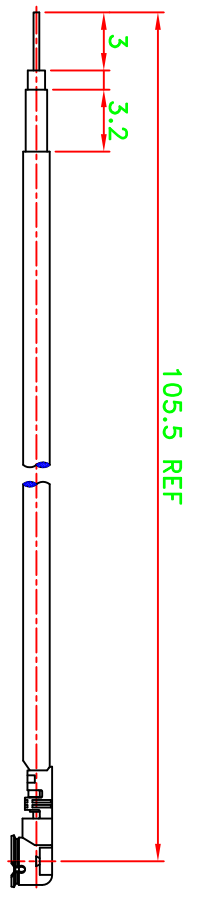
NOTES:
 1. UNLESS OTHERWISE SPECIFIED ALL DIMENSIONS ARE IN MM.
 2. ALL SPECIFICATIONS ARE SUBJECT TO CHANGE WITHOUT NOTICE AT ANY TIME.

FREQUENCY RANGE: 0~6GHZ
 VSWR: 1.4 Max.

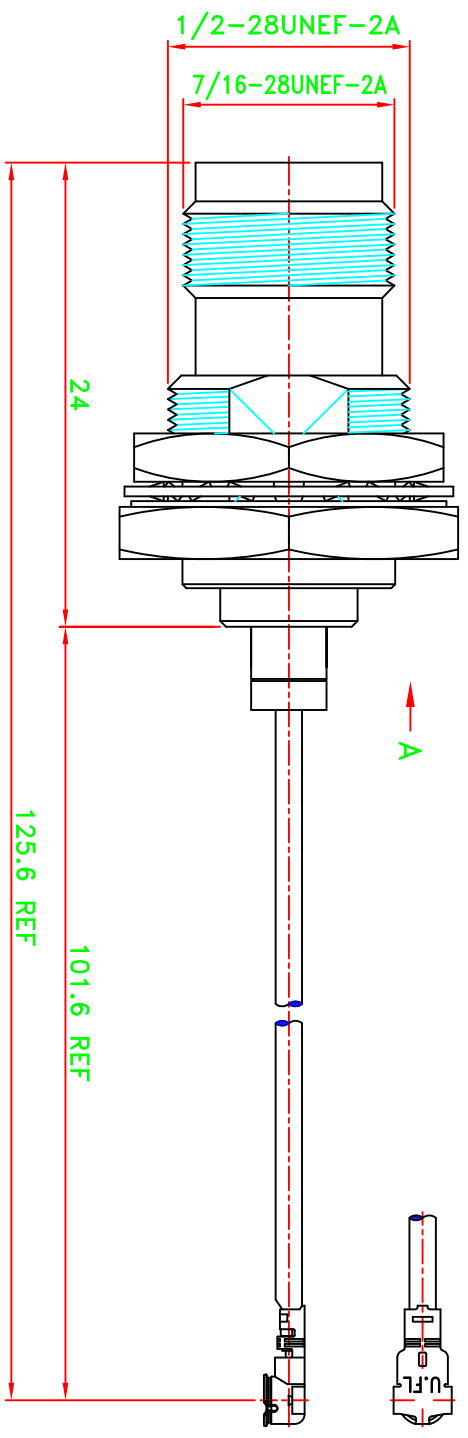
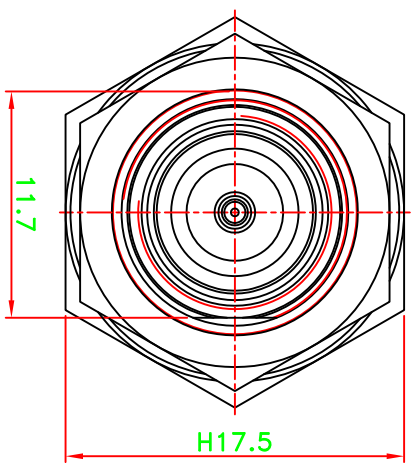


RECOMMENDED MOUNTING HOLE

A VIEW



RECOMMENDED CABLE STRIPPING DIM'S



AC-20140B

| NO | Title/Drawing No. | Qty | Material | Finish |
|----|-----------------------|-----|----------|--------|
| 3 | Cable(1.37mm) | 1 | | |
| 2 | U.FL | 1 | | |
| 1 | ASTNC-15174-AG-RP-TGN | 1 | | |

| PART NO. | | UNLESS OTHERWISE NOTED TOLERANCES | |
|--------------------|--|-----------------------------------|------------------|
| CA137-RTJBUFL-0041 | DATE | 0.5-6 = ±0.2 | TITLE |
| APPROVED | 03/08/13 | 6-30 = ±0.4 | CABLE ASSEMBLY |
| M. Bryant | DATE | 30-120 = ±0.6 | DRAWING NO. |
| CHECKED | 03/08/13 | 120-315 = ±1.0 | ASCA-33084-AG-RP |
| DRAWN | DATE | ANGLES = ±1° | REV |
| Kdi | 03/08/13 | | A |
| SCALE | 5/2 | UNIT | mm |
| FILE NO. | W:\7P~\AS\ASCA\ASCA-33084-AG-RP AIR802->20130311 | | |