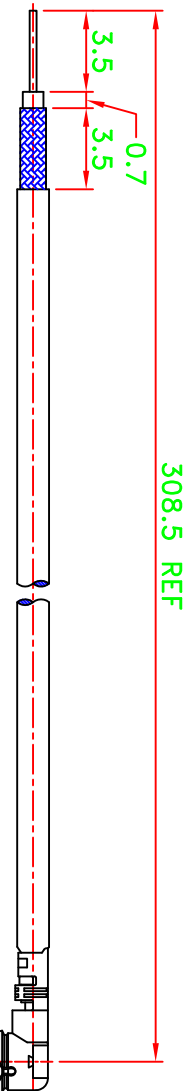
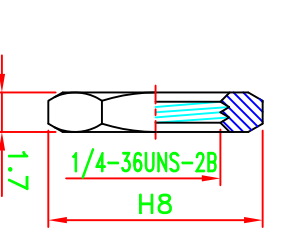
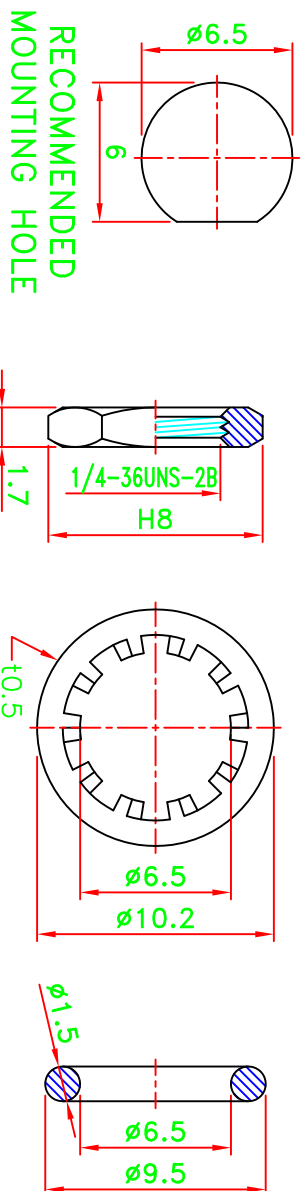
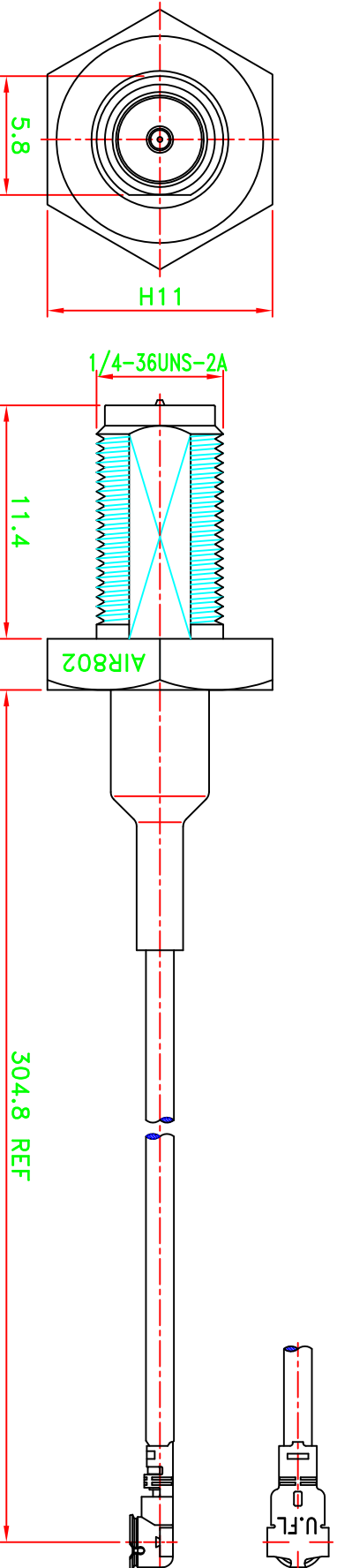


REV	DESCRIPTION \ PER REQUEST	DRAWN	DATE

NOTES:
 1. UNLESS OTHERWISE SPECIFIED ALL DIMENSIONS ARE IN MM.
 2. ALL SPECIFICATIONS ARE SUBJECT TO CHANGE WITHOUT NOTICE AT ANY TIME.



RECOMMENDED
 CABLE STRIPPING DIM'S



NO	TITLE/DRAWING NO.	Q'TY	MATERIAL	FINISH	PART NO.	UNLESS OTHERWISE NOTED TOLERANCES	SCALE	UNIT	mm	FILE NO.	REV
4	HEAT SHRINK TUBING	1	POLYOLEFIN	BLACK	CA137-RSJBUFFL-0121	0.5-6 = ±0.2	3/1	mm		AIR802	A
3	CABLE(1.37mm)	1				6-30 = ±0.4				CABLE ASSEMBLY	
2	U.F.L	1				30-120 = ±0.6				DRAWING NO.	
1	ASSMA-10462-AG-RP-TGG	1				120-315 = ±1.0				ASCA-33097-AG3-RP	
						ANGLES = ±5°				Wen	
										DATE	
										02/27/14	
										02/27/14	
										02/27/14	

AC-20165B