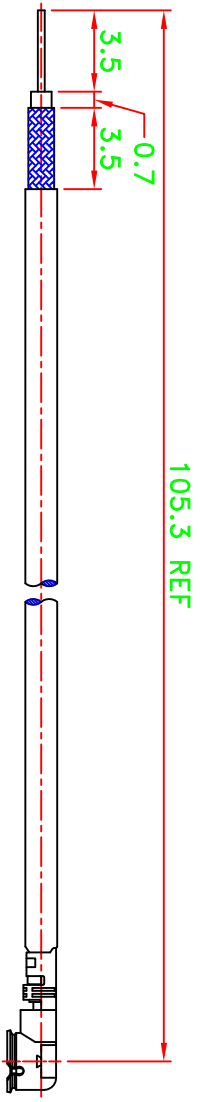
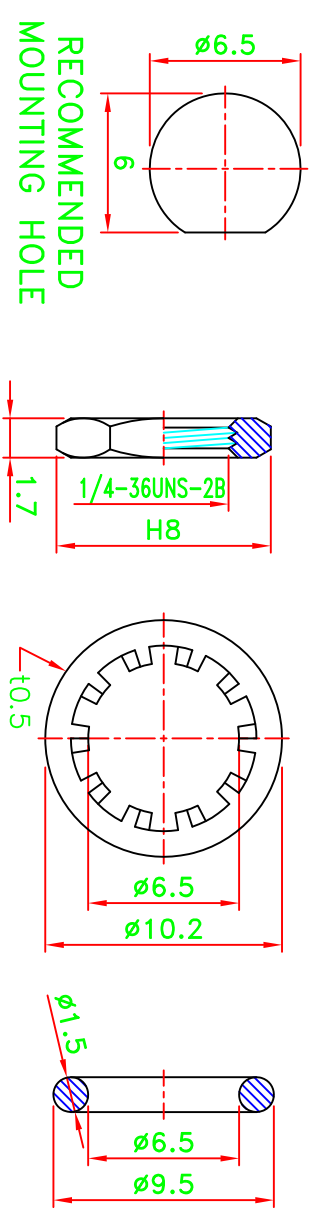
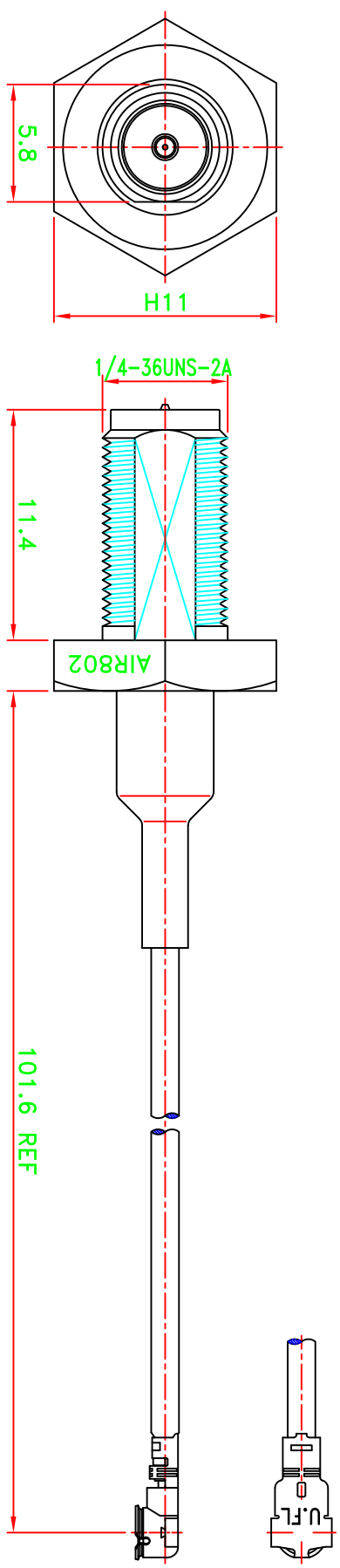


REV	DESCRIPTION \ PER REQUEST	DRAWN	DATE

NOTES:
 1. UNLESS OTHERWISE SPECIFIED ALL DIMENSIONS ARE IN MM.
 2. ALL SPECIFICATIONS ARE SUBJECT TO CHANGE WITHOUT NOTICE AT ANY TIME.



RECOMMENDED
 CABLE STRIPPING DIM'S



RECOMMENDED
 MOUNTING HOLE

AC-20162B

NO	TITLE/DRAWING NO.	Q'TY	MATERIAL	FINISH	PART NO.	DATE	SCALE	UNIT	mm	FILE NO.	REV
4	HEAT SHRINK TUBING	1	POLYOLEFIN	BLACK	CA137-RSJBUFFL-0041	02/27/14	3/1	mm		W:\??~\AS\ASCA\ASCA-33097-AG-RP AIR802->20140303	A
3	CABLE(1.37mm)	1			M. Bryant	02/27/14					
2	U.FL	1				02/27/14					
1	ASSMA-10462-AG-RP-TGG	1				02/27/14					

AIR802

CABLE ASSEMBLY

ASCA-33097-AG-RP