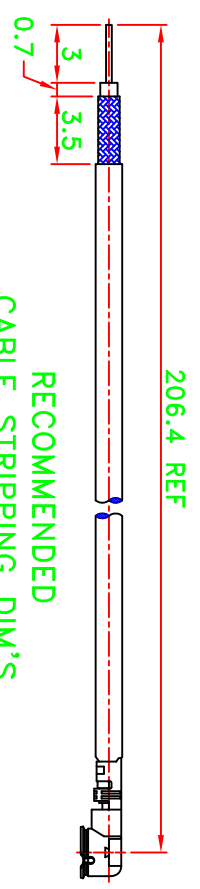
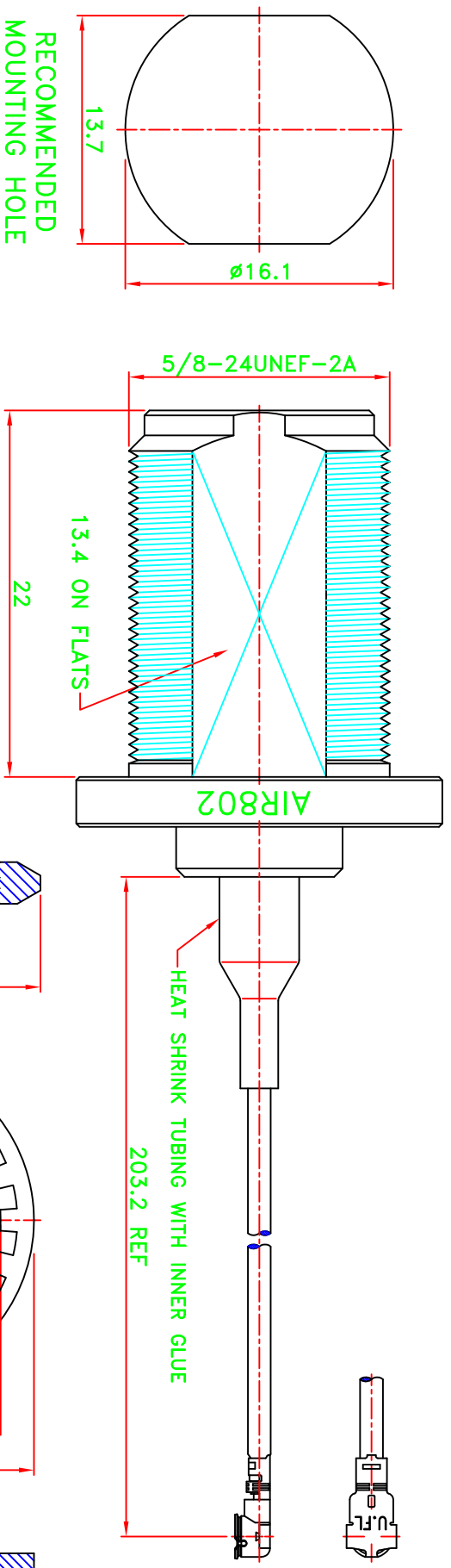


REV	DESCRIPTION \ PER REQUEST	DRAWN	DATE

NOTES:
 1. UNLESS OTHERWISE SPECIFIED ALL DIMENSIONS ARE IN MM.
 2. ALL SPECIFICATIONS ARE SUBJECT TO CHANGE WITHOUT NOTICE AT ANY TIME.



RECOMMENDED
 CABLE STRIPPING DIM'S



AC-20160B

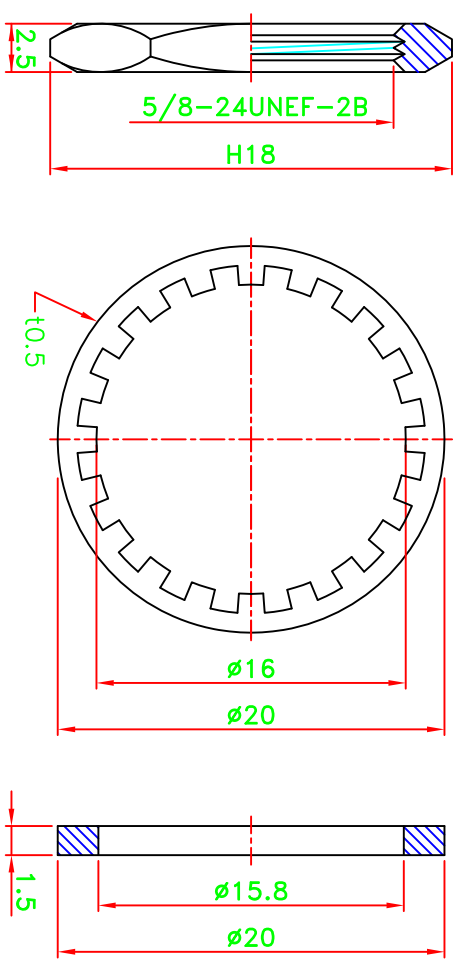
NO	TITLE/DRAWING NO.	Q'TY	MATERIAL	FINISH	PART NO.	APPROVED	DATE	SCALE	UNIT	mm	FILE NO.	REV
4	HEAT SHRINK TUBING	1	POLYOLEFIN	BLACK	CA137-NFBUFL-0081	M. Bryant	03/03/14	5/2	mm		ASCA-33098-AG2	A
3	CABLE(1.37mm)	1										
2	U.FL	1										
1	ASN-11284-AG-TGN	1										
NO	TITLE/DRAWING NO.	Q'TY	MATERIAL	FINISH	DRAWN	DATE						
					Wen	03/03/14						

AIR802

CABLE ASSEMBLY

ASCA-33098-AG2

REV A



* MAJOR DIMENSION
 UNLESS OTHERWISE NOTED TOLERANCES
 0.5-6 = ± 0.2
 6-30 = ± 0.4
 30-120 = ± 0.6
 120-315 = ± 1.0
 ANGLES = $\pm 5^\circ$