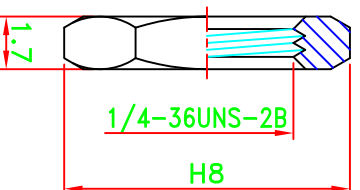
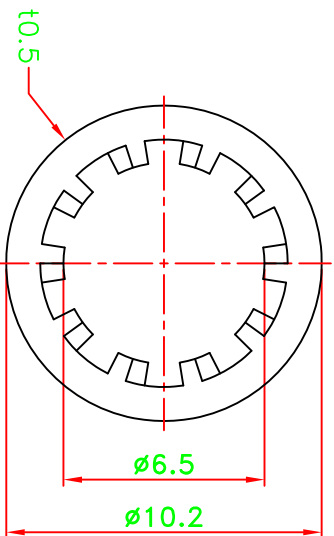
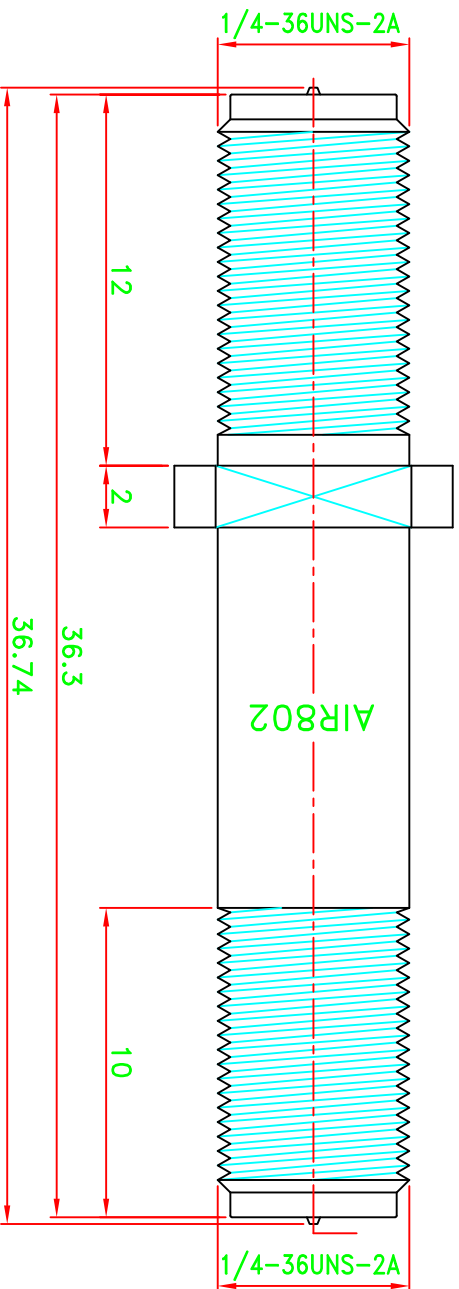
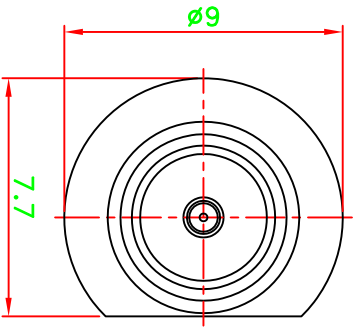


REV	DESCRIPTION \ PER REQUEST	DRAWN	DATE
C	D-Flat dimension change from 8.5 to 7.7	Wen	05/25/12
D	Add Black Print "AIR802"	Wen	07/18/12

- NOTES:
1. UNLESS OTHERWISE SPECIFIED ALL DIMENSIONS ARE IN MM.
  2. ALL SPECIFICATIONS ARE SUBJECT TO CHANGE WITHOUT NOTICE.



STAMP: AIR802

NO	Description	Qty	Material	Finish
5	Nut	1	Brass	Nickel
4	Washer	1	Brass	Nickel
3	Dielectric	2	Teflon	None
2	Pin	1	Brass	Gold
1	Body	1	Brass	Nickel

PART NO.	AD-RSJRSJ
APPROVED	M. Bryant
CHECKED	
DRAWN	Wen
DATE	07/18/12

* MAJOR DIMENSION UNLESS OTHERWISE NOTED TOLERANCES		
0.5-6	±0.2	
6-30	±0.4	
30-120	±0.6	
120-315	±1.0	
ANGLES=±1°		
SCALE	4/1	UNIT
		mm

TITLE		AIR802 LLC	
SMA R/P BULKHEAD DOUBLE JACK ADAPTER		70AB70C01-000	
DRAWING NO.		ASSMA-10357-RP-TGN	
FILE NO. W:\DWG\AS\ASSMA\ASSMA-10357-RP-TGN AIR802->20120718		REV D	