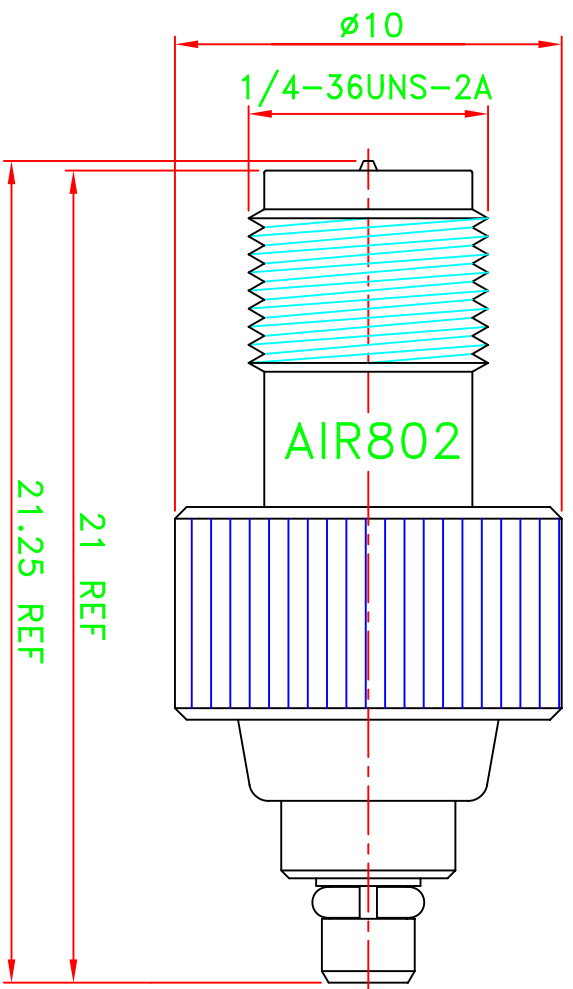


REV	DESCRIPTION\PER REQUEST	DRAWN	DATE



- NOTES:
1. UNLESS OTHERWISE SPECIFIED ALL DIMENSIONS ARE IN MM.
 2. ALL SPECIFICATIONS ARE SUBJECT TO CHANGE WITHOUT NOTICE.

NO	Description	Qty	Material	Finish
6	Retaining ring	1	Beryllium	Gold
5	Dielectric	1	Teflon	None
4	Dielectric	1	Teflon	None
3	Pin	1	Brass	Gold
2	Body	1	Brass	Gold
1	Body	1	Brass	Gold

PART NO. AD-RSJMMCX		* MAJOR DIMENSION	
APPROVED	DATE	UNLESS OTHERWISE NOTED TOLERANCES	
M. Bryant	10/20/10	0.5-6 = ±0.2	
CHECKED	DATE	6-30 = ±0.4	
	10/20/10	30-120 = ±0.6	
DRAWN	DATE	120-315 = ±1.0	
Kdi	10/20/10	ANGLES = ±1°	
SCALE	5/1	UNIT	mm
TITLE		FILE NO. W:\msd\as\ASSMA\ASSMA-10354-RP-TGG	
AIR802 LLC		DIANA-->20101020	
DRAWING NO. SMA R/P JACK TO MMCX PLUG ADAPTER		REV A	
ASSMA-10354-RP-TGG			

STAMP: AIR802