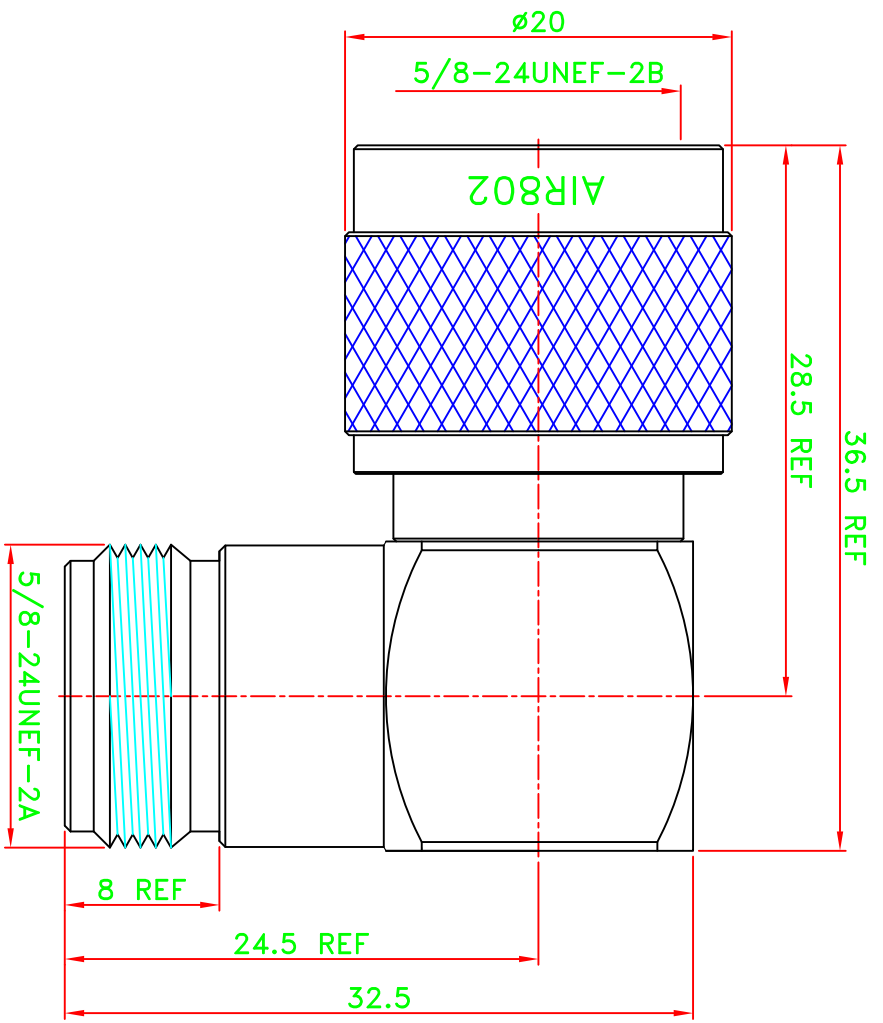


REV	DESCRIPTION\PER REQUEST	DRAWN	DATE

NOTES:
 1. UNLESS OTHERWISE SPECIFIED ALL DIMENSIONS ARE IN MM.
 2. ALL SPECIFICATIONS ARE SUBJECT TO CHANGE WITHOUT NOTICE AT ANY TIME.



STAMP: AIR802

NO	DESCRIPTION/DRAWING NO.	Q'TY	MATERIAL	FINISH
10	SHELL	1	BRASS	NICKEL
9	GASKET	1	SI-RUBBER	ORANGE
8	RETAINING RING	1	BRASS	NICKEL
7	GROUNDING	1	BRASS	NICKEL
6	SLEEVE	1	BRASS	NICKEL
5	INSULATOR	2	PTFE	NATURAL
4	PIN	1	PHOS. BRONZE	GOLD(3µ")
3	PIN	1	BRASS	GOLD(3µ")
2	BODY	1	BRASS	NICKEL
1	BODY	1	BRASS	NICKEL

PART NO. AD-NFMRA		* MAJOR DIMENSION UNLESS OTHERWISE NOTED TOLERANCES		TITLE AIR802	
APPROVED M. Bryant	DATE 01/23/19	0.5-6 = ±0.2	6-30 = ±0.4	DRAWING NO. ASN-11265-2-TGN	
CHECKED	DATE 01/23/19	30-120 = ±0.6	120-315 = ±1.0	FILE NO. W:\P\AS\ASN\ASN-11265-2-TGN	REV A
DRAWN Wen	DATE 01/23/19	ANGLES = ±5°		SCALE 5/2	UNIT mm