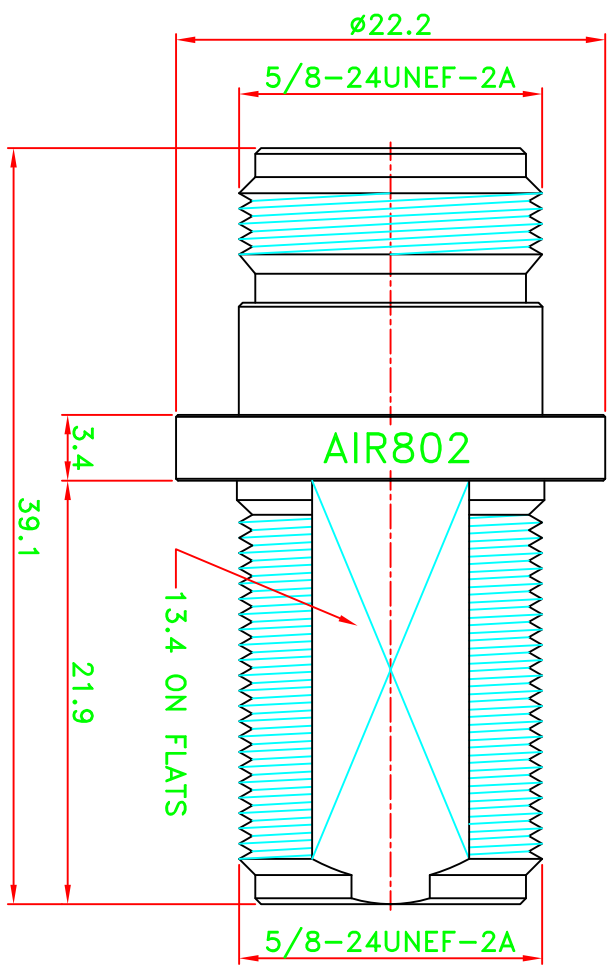


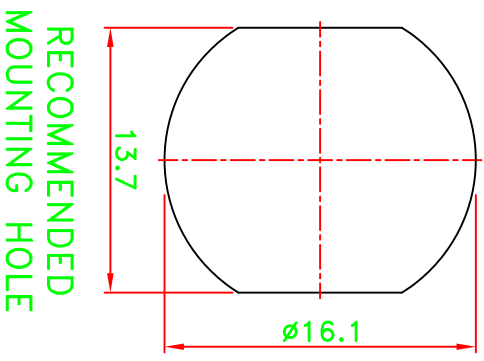
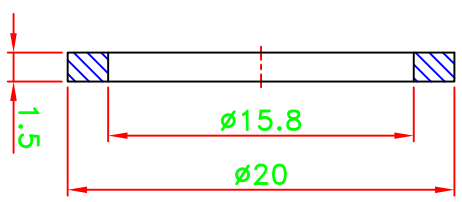
REV	DESCRIPTION \ PER REQUEST	DRAWN	DATE

NOTES:
 1. UNLESS OTHERWISE SPECIFIED ALL DIMENSIONS ARE IN MM.
 2. ALL SPECIFICATIONS ARE SUBJECT TO CHANGE WITHOUT NOTICE AT ANY TIME.

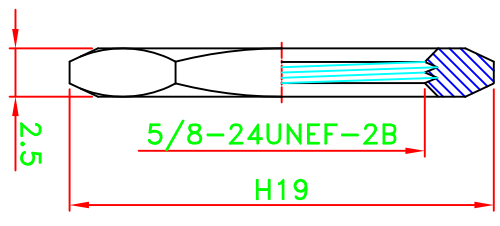
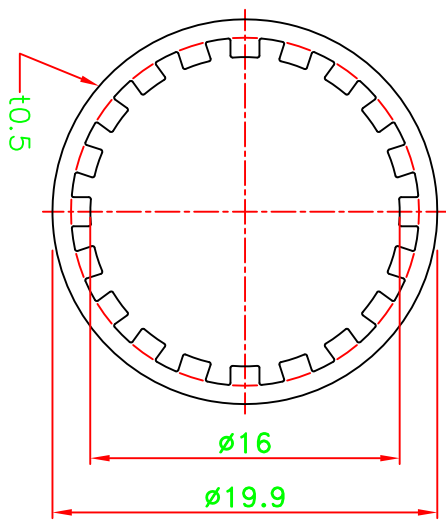


STAMP: AIR802

NO	DESCRIPTION/DRAWING NO.	QTY	MATERIAL	FINISH
7	NUT	1	BRASS	NICKEL
6	WASHER	1	BRASS	NICKEL
5	GASKET	1	SI-RUBBER	RED
4	SLEEVE	1	BRASS	NICKEL
3	INSULATOR	2	PTFE	NATURAL
2	PIN	1	BRASS	GOLD
1	BODY	1	BRASS	NICKEL



RECOMMENDED MOUNTING HOLE



AIR802

PART NO.	AD-NFNFBFM
APPROVED	M. Bryant
CHECKED	
DRAWN	Wen
DATE	01/21/19

* MAJOR DIMENSION UNLESS OTHERWISE NOTED TOLERANCES
 0.5-6 = ±0.2
 6-30 = ±0.4
 30-120 = ±0.6
 120-315 = ±1.0
 ANGLES = ±5°

TITLE	N JACK TO N JACK BULKHEAD ADAPTER
DRAWING NO.	ASN-11264-5-TGN
REV	A
FILE NO.	W:\p2\as\asn\asn-11264-5-TGN AIR802->20190124