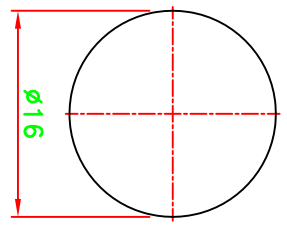


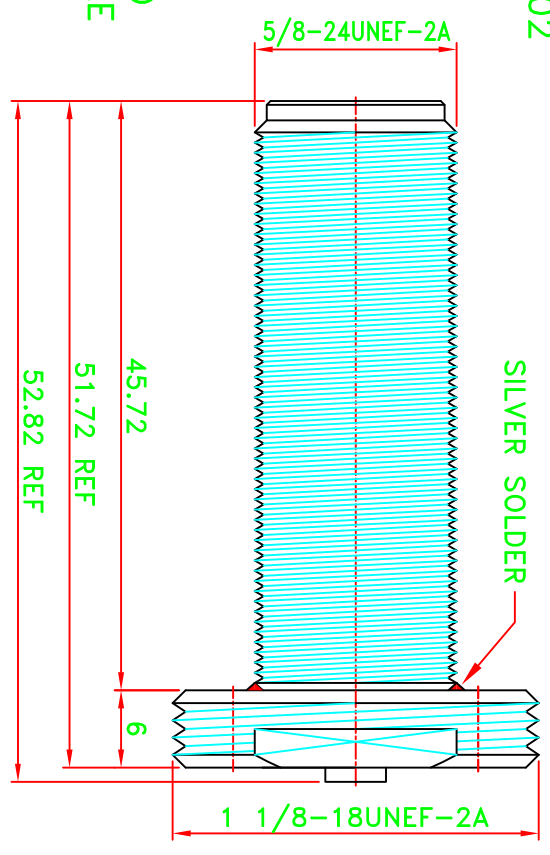
REV	DESCRIPTION \ PER REQUEST	DRAWN	DATE

NOTES:
 1. UNLESS OTHERWISE SPECIFIED ALL DIMENSIONS ARE IN MM.
 2. ALL SPECIFICATIONS ARE SUBJECT TO CHANGE WITHOUT NOTICE.
 AT ANY TIME.

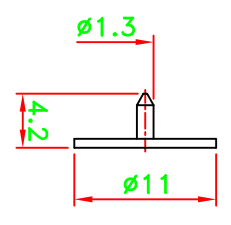
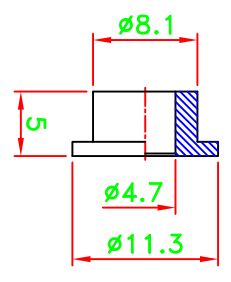
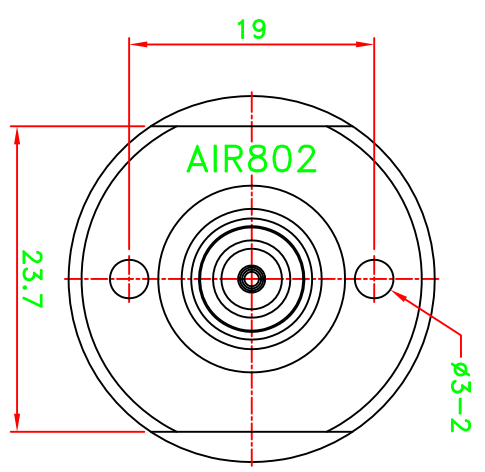
STAMP: AIR802



RECOMMENDED MOUNTING HOLE

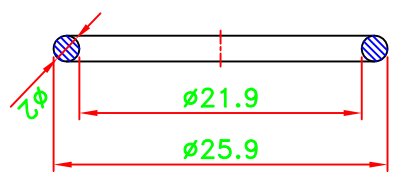
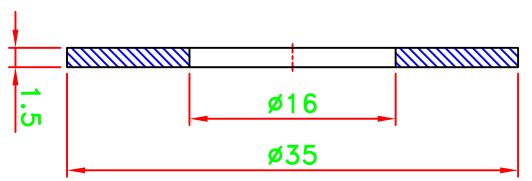
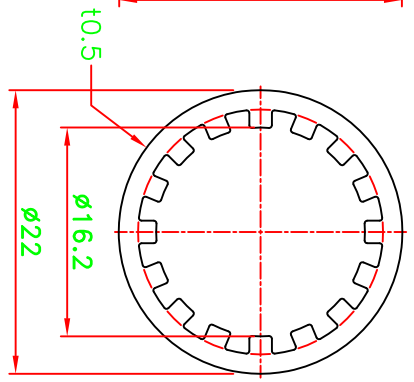
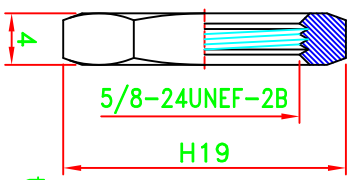


SILVER SOLDER



NOTES: FINISH (PLATING THICKNESS IN MICRO-INCHES)
 1. COPPER-TIN-ZINC PL. 100 MIN. THICK OVER COPPER STRIKE
 2. GOLD PL. 5 MIN. THICK OVER COPPER STRIKE

NO	DESCRIPTION / DRAWING NO.	Q'TY	MATERIAL	FINISH
10	NUT	1	BRASS	NOTE 1
9	WASHER	1	BRASS	NOTE 1
8	WASHER	1	BRASS	NOTE 1
7	"O" RING	1	RUBBER	BLACK
6	SLEEVE	1	BRASS	NOTE 1
5	INSULATOR	1	PTFE	NATURAL
4	INSULATOR	1	PTFE	NATURAL
3	PIN	1	BRASS	NOTE 2
2	PIN	1	BRASS	NOTE 2
1	ASSEMBLY	1	BRASS	NOTE 1



PART NO. AD-NFBNMOTM
 APPROVED M. Bryant
 DATE 12/04/17

* MAJOR DIMENSION UNLESS OTHERWISE NOTED TOLERANCES
 0.5-6 = ± 0.2
 6-30 = ± 0.4
 30-120 = ± 0.6
 120-315 = ± 1.0
 ANGLES = $\pm 5^\circ$

TITLE AIR802
 N BULKHEAD JACK TO NMO ADAPTER
 DRAWING NO. ASN-11304-1-TGWB
 REV C

CHECKED
 DATE 12/04/17
 DRAWN
 DATE 12/04/17

SCALE 5/3 UNIT mm

FILE NO. W:\P\AS\ASN\ASN-11304-1-TGWB AIR802-20171204